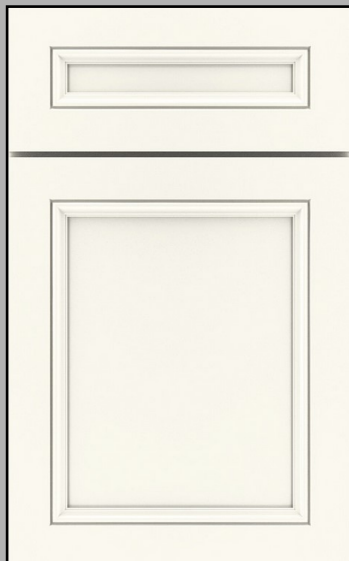
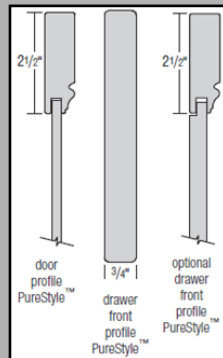


## Vance Full PureStyle™ White



Maple, Painted \$241  
PureStyle™  
\$ 254 LF

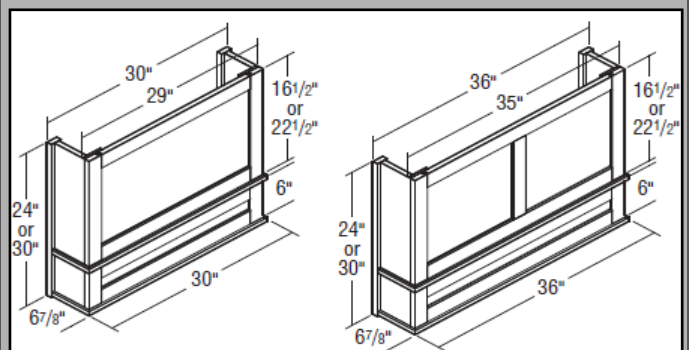


- Veneer or PureStyle™ Flat Panel
- 1 1/4" Full Overlay
- 3/4" Solid Slab Drawer Front
- A heat shield is required to separate PureStyle™ doors, drawer fronts, overlay fillers, and all laminate products from heat producing units to be in compliance with cabinet warranty.

**Pg. 20**

## NEW 30" Straight Batten Wood Hood

**WHSBATTEN3030 new**  
**WHSBATTEN3630 new**



- Install between adjacent cabinets.
- Exhaust system not included. Designed for use with all Thomasville blowers on pages 154 & 155.
- Check local building code and appliance installation specifications for clearance requirements and installation heights above the range.
- Silver metallic liner included. Liner opening size: 10 1/4" deep by 19 1/2" wide. Assembly required.
- Installation instructions and hardware included.
- End rails, side stiles, and center stiles are 2 1/4" wide with a shaker profile.
- Grain runs vertical on center panels in upper section and horizontal on center panel in lower section.
- Wood hoods ordered in Rustic Alder and Rustic Hickory will not feature Rustic characteristics. classic
- Maple will be used for PureStyle™. studio
- No changes or cancellations will be accepted after 24 hours from acknowledgment of order.

**Page 153**



Thomasville Studio 1904

a modern, vintage vibe cabinetry offering that is exclusive to Home Depot!

Thomasville Studio 1904  
CABINETRY



## Things I Love About Studio!

*Paula Hollinsworth CKD HD\_0359 Gretna, LA.*

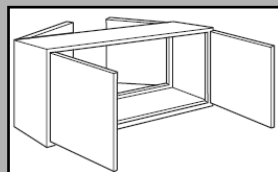
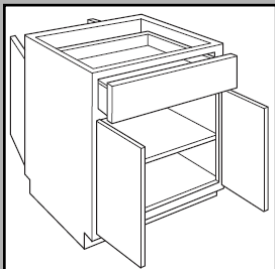
“ Studio is my go to line for customers not wanting stock cabinets that lack convenience items already installed. The wide selection of finish options are just enough for those discriminating customers.”

“The most expensive liquid in the world is a tear. It’s 1% water and 99% feelings. Think before you hurt someone.” ~ Daily Humor & Positive Quotes

# Modifications

## P\_Peninsula Modification

Most wall and base cabinets



**PG.68**

Creates a peninsula cabinet that is 1/4" deeper than the standard cabinet depth. If ID or RD is specified, cabinet will be 1/4" deeper than specified cabinet depth. Any adjustable shelves are upgraded to full depth.

Peninsula cabinets are available with ADDTK 15" deep and larger.

Any cabinet with a toekick must be at least 15" deep. Depths of 14" and less will not have ADDTK available.

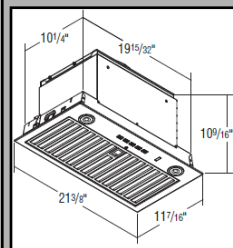
Single door cabinets are hinged on the same cabinet end, for example a W1230L will feature a Left hinge on the front side and a Right hinge on the peninsula side. Not available on tall cabinets including oven, utility, and pantry; multi-drawer base cabinets. Cabinets with drawers can only be reduced in 3" increments.

Base cabinets with drawer modified to Peninsula will include a false drawer panel on the back side, and working doors.

Peninsula cabinets are not designed to be used as stand alone island cabinets. The maximum depth for wall cabinets with the Peninsula modification is 18".

# Embellishments

## BLOWER INSERTS



Models Available from  
**250, 400, 600 to 1100 CFM**

See individual specs on each.

**PGS. 154-155**

- 600 CFM. (pictured above)
- Two 3 watt (300+ Lumens, 3 settings) LED lights included.
- Installation instructions, warranty, and repair information included.
- Stainless Steel finish.
- Four speed push button control.
- Includes removable dishwasher safe grease filter.
- WIFI Enabled, Auto-Sensing, and Heat Sentry technology included.
- Sound rating is 9.5 sones on highest setting.
- Vertical ducting requires either 6" or 8" diameter vent, or 3 1/4" x 10" vent. Horizontal ducting requires 3 1/4" x 10" vent.
- One year warranty.
- Compatible with all wood hoods and hearths.

Thank you for selling your House Brand, Thomasville Cabinetry! We are your partners to help you with the sale every time! Visit your web page <https://www.THAHD.com>

**TH&A**

Todd Haley & Associates



**MASTERBRAND**  
CABINETS, INC.