

# Thomasville<sup>®</sup> Artisan

CABINETS, INC.



MASTERBRAND  
CABINETS, INC.

The Artisan Focus

May 2022

Visit us at

[ThomasvilleCabinetry.com](http://ThomasvilleCabinetry.com)

Or

<https://www.THAHD.com>

## Hendrix Cherry Cocoon w/Weathering



- Solid Double Raised Center Panel Door
- Full Overlay Door Style
- 5-piece Raised Drawer Front
- Drawer End Rails are 2 1/4" and Cross Rails are 1 1/4" (Finished Width). This rule will apply on all 4 1/4", 4 1/2", and 5" high drawer openings.
- Any Drawer Front larger than 6 3/4" high will utilize 2 1/4" End Rails and Cross Rails.
- Drawer Fronts smaller than 5

3/4" high or drop front applications will have Slab Front.

- Solid Slab Drawer Front (DFSLB) available.

See page 50.

- Solid Slab Drawer Front Top (DFSLBT) available.

See page 50.

- 1/8" EXL and/or EXR options recommended with altered depths, adjacent cabinets with opposite hinging, and cabinet adjacent to a fixed wall.
- When Maple Color or Brushed finishes are specified, the center panels may be constructed of Medium Density Fiberboard (MDF). MDF provides a smoother finish when painted, and is more resistant to warping, expansion, and contraction.

Page 7

Maple \$409 LF  
Cherry/QSO \$460 LF  
Rustic Alder \$409 LF

## Tall Bookcase with Doors & Arch Valance

### 84" High, Single Door

TD188412BCAV L or R  
TD218412BCAV L or R  
TD248412BCAV L or R

### 84" High, Butt Doors

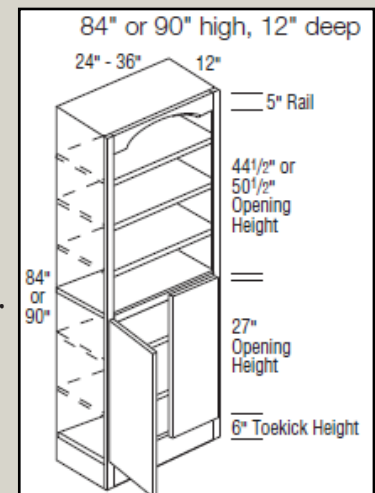
TD248412BCAV  
TD278412BCAV  
TD308412BCAV  
TD338412BCAV  
TD368412BCAV

### 90" High, Single Door

TD189012BCAV L or R  
TD219012BCAV L or R  
TD249012BCAV L or R

### 90" High, Butt Doors

TD249012BCAV  
TD279012BCAV  
TD309012BCAV  
TD339012BCAV  
TD369012BCAV



Page 465

- Includes five adjustable shelves.
- Matching Interior and Wide Bottom Rail standard.
- Maximum depth is 24".
- Toekick shipped attached.
- Arch Valance is standard; specify Straight, style B, style D, style E, style H, style J, style K, or style L if desired.
- 96" Height available with six adjustable shelves.

TH&A

Todd Haley & Associates

Adam Johnson

678-736-9934

[ajohnson@toddhaley.com](mailto:ajohnson@toddhaley.com)

Ginny Edens

770-424-7518

[gedens@toddhaley.com](mailto:gedens@toddhaley.com)

Paul Cunningham

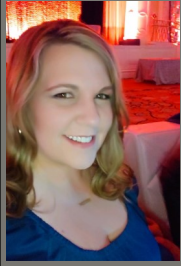
615-681-2686

[pcunningham@toddhaley.com](mailto:pcunningham@toddhaley.com)

Thomas D. Clarke, CKD

225-240-0529

[tclarke@toddhaley.com](mailto:tclarke@toddhaley.com)



What is your "Favorite Thing" about Artisan Cabinetry?

Kelly Henrick HD\_0347 Hammond, La.

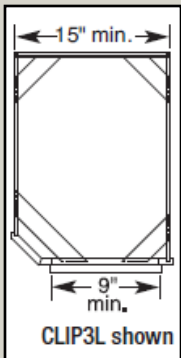
"Artisan is the only line I recommend to my discriminating customers that want what they want and the price has no limit."



A disco ball is hundreds of pieces of broken glass put together to make a magical ball of light. You aren't broken. You're a disco ball.

## Modifications

## Embellishments



- CLIP3L - 3" clipped corner left
- CLIP3R - 3" clipped corner right
- CLIP3L.P - 3" clipped corner left peninsula
- CLIP3R.P - 3" clipped corner right peninsula

Page 75

### KNOB1909



L: 1 1/4"

W: 1 1/4"

P: 1 1/8"

B: 3/4"

Page 739

- Many cabinets can be ordered with either the left or right front corners of the face frame clipped at a 45° angle. The Clipped Corner side end panel is set back 3". The size of the face frame opening is reduced by 3". The overall width of the cabinet does not change.
- The Clipped Corners are available with fluting, but this must be specified.
- Minimum face frame opening is 9" after Clipped Corner option is applied. (Not available on 12" wide cabinets.)
- Face Frame and Door on End mod not available on the same end as the Clipped Corner. Minimum depth of cabinet is 9". Minimum width is 15".
- Extended Stiles and Wide Stiles modifications are not available on the same end as the Clipped Corner.
- Some limitations to cabinet offerings due to interior component sizes.
- Not available with Increased Widths in 1/4" Increments.
- When IW is used in conjunction with Clipped Corners, then not available with 24" wide Peninsulas, 2B4D24, B4D\_, 2B4D24RT, B4D\_RT, B39RT, B42RT, or B45RT models.
- When IW is used in conjunction with Clipped Corners and it makes the opening 21" wide, cabinet will have 2 doors.

Thank you for selling Artisan Cabinetry!

We need & appreciate your business! Please visit your website <https://www.THAHD.com>.

**TH&A**

Todd Haley & Associates



MASTERBRAND  
CABINETS, INC.