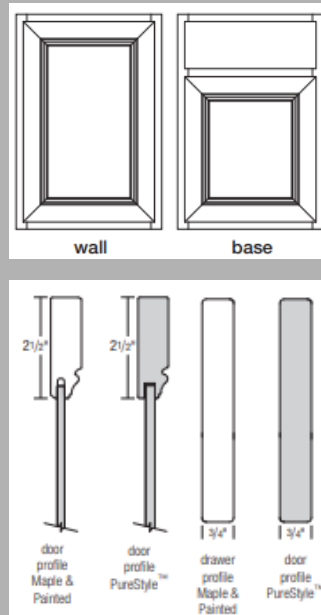
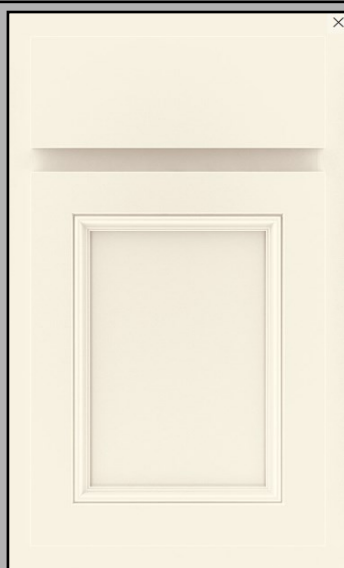


Vance Partial Overlay Cotton



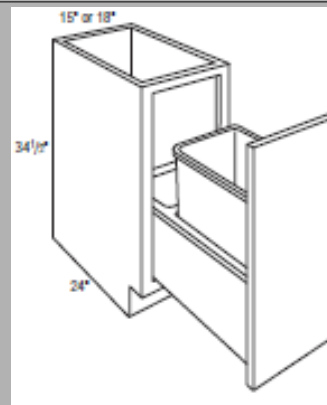
Cotton

- Veneer Flat Panel Mitered Door
- 1/2" Partial Overlay
- 3/4" Solid Slab Drawer Front

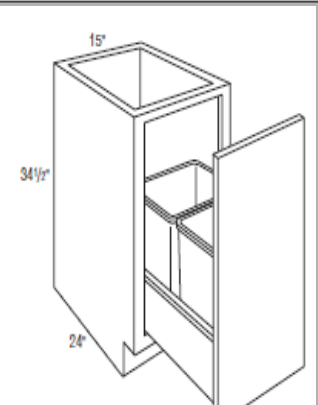
Painted \$234 LF*
Maple \$234 LF
PureStyle™ \$244 LF

Pg. 20

Base Wastebasket FH BWB15FH/BWB18FH2



BWB15FH



BWB18FH2
BWB21FH

- BWB15FH Includes one 50 quart gray wastebasket and one trash bag storage area.
- Pull-out features undermount QuietClose guides.
- BWB18FH2 includes two 35 quart gray wastebaskets.
- BWB21FH Includes two 50 quart gray wastebaskets.
- Wastebasket lid available for purchase separately, see page 467.

Page 226-227



Thomasville Studio 1904

a modern, vintage vibe cabinetry offering that is exclusive to Home Depot!

Thomasville Studio 1904
CABINETRY

Things I Love About Studio!

Cookie Williams HD_0132 Carrollton, GA

I love working with Thomasville because it's of great quality and easy to work with. Thomasville is awesome for my DIYer's. I'm confident enough in the product to sell it. And my rep and customer service are easy and great to work with.

“You don’t have to be a champion to start, but you have to start to be a champion”

Modifications

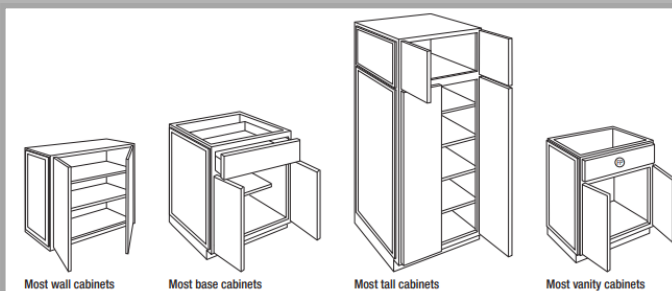
AUTHB - authentic ends both

AUTHL - authentic end left

AUTHR - authentic end right

PG.49

- ◆ Modifies the cabinet end panel with applied decorative doors onto FPEB upgraded end panels included with AUTH modification
- ◆ If either AUTHL or AUTHR is selected, the opposite end will be FPEB automatically
- ◆ Available on most cabinets with depths of 12, 15, 18, 21, and 24”
- ◆ Tall cabinets with non-mitered doors have two panels on the bottom door
- ◆ Office base cabinets 29” high will have double door configuration when selected on 24” deep cabinets



Embellishments

GOLD PULLS

Pull 1907, 1910, AND 1911



PG. 461

Thank you for selling your House Brand, Thomasville

Cabinetry! We are your partners to help you with the sale every time! Visit your web page <https://www.THAHD.com>

TH&A

Todd Haley & Associates

MASTERBRAND