

# Thomasville Classic

CABINETS



**MASTER BRAND**  
CABINETS, INC.

**The Thomasville Report**

**September 2022**

Visit us at  
[thomasvillecabinetry.com](http://thomasvillecabinetry.com)  
Or  
<https://www.THAHD.com>

**NEW**

## Vance Cherry Shepherd



**Maple \$292/LF**  
**Cherry \$342/LF**

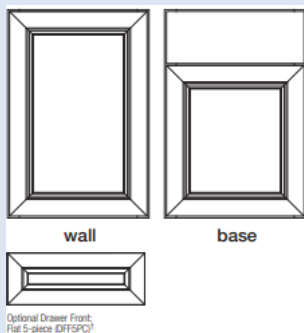
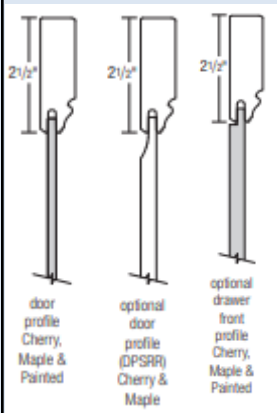
- Full Overlay
- Veneer recessed panel mitered door
- 3/4" Slab DF
- 5PC is available as a global option.
- DPSRR option-replaces veneer flat panel w/ solid reverse raised center panel;

PG.20

drawer fronts not affected

Drawer Front Options

DF5PC	DF5PCNR	DF5PCNRST	DF5PCSLBT	DF5PC	DF5PCSLBT	DFSLB	DFSLBT
<input checked="" type="checkbox"/>	<input checked="" type="checkbox"/>	<input type="checkbox"/>	<input type="checkbox"/>	<input checked="" type="checkbox"/>	<input type="checkbox"/>	<input type="checkbox"/>	<input type="checkbox"/>

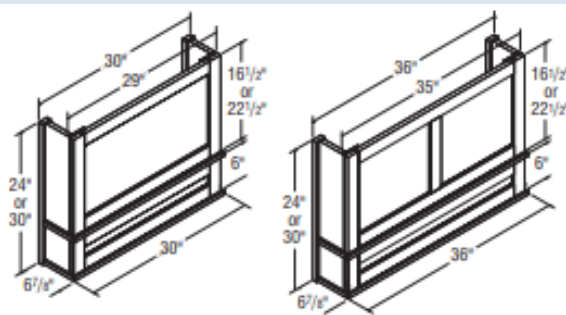


## 30" High Straight Batton Wood Hood

**WHSBATTEN3030**

**NEW**

**WHSBATTEN3630**



Distressing	Hairloomng
<input checked="" type="checkbox"/>	<input checked="" type="checkbox"/>

- Install between adjacent cabinets
- End rails, side stiles, and center stiles are 2-1/4" wide with a shaker profile
- Grains run vertical on center panels in upper section and horizontal on center lower section
- Rustic characteristics will not be present
- No changes or cancellation after order is acknowledged
- Liner included
- Exhaust systems pgs. 154-155

**PG. 153**

**TH&A**

Todd Haley & Associates

Adam Johnson  
678-736-9934

[ajohnson@toddhaley.com](mailto:ajohnson@toddhaley.com)

Paul Cunningham  
615-681-2686

[pcunningham@toddhaley.com](mailto:pcunningham@toddhaley.com)

Thomas D. Clarke, CKD  
225-240-0529

[tclarke@toddhaley.com](mailto:tclarke@toddhaley.com)

Ginny Edens  
770-424-7518

[gedens@toddhaley.com](mailto:gedens@toddhaley.com)

## What Designers are saying about Thomasville:

Joseph Baker Hoover, AL Home Depot #0881

“I depend on Thomasville as they always deliver a premium product. This includes cabinets, finishes, and after sales support. My customers never feel that they’re alone in this process. With the updates and tracking availability, they always feel that Thomasville is walking with them, side by side.”

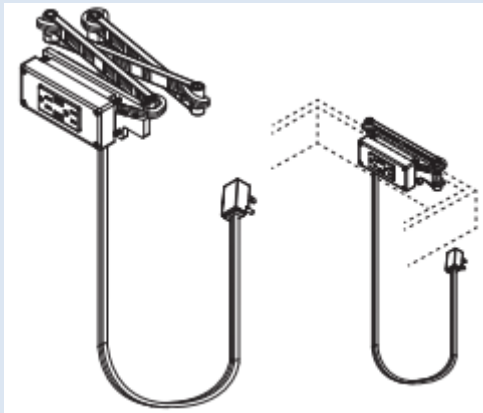


“I've learned that people will forget what you said, people will forget what you did, but people will never forget how you made them feel.” — Maya Angelou

## MODIFICATIONS

NEW

### PowerGlide™ Compact Drawer Outlet



This modification installs a compact drawer outlet into the drawer box. Includes two 120V electrical plug-ins and two 2.1 amp USB charging ports. Available on base cabinet widths of 18"-36" and depths of 15", 18", 21", and 24". Installs in left drawer (**DRWPWRL**), right drawer (**DRWPWRR**), or both drawers (**DRWPWRB**). Outlet is ETL approved -compliant for electrical and other standards including US and Canadian safety standards.

PG.59

## EMBELLISHMENTS

### Wood Hood Blower Inserts

NEW

Two **NEW** blower options:

PGS. 154-155

#### 400CFM

Stainless Steel finish; Two 2.8 watt LED lights; Three speed rotary control; Heat Sentry technology; 7 Sones on high; Compatible with all wood hoods and hearths; Dishwasher safe grease filter; One year warranty

#### 600CFM

Stainless Steel finish; Two 3 watt LED lights; Four speed push button control; WIFI Enabled, Auto-Sensing and Heat Sentry technology; 9.5 Sones on high; Compatible with all wood hoods and hearths; Dishwasher safe grease filter; One year warranty

Thank you for selling your House Brand, Thomasville Cabinetry! We are your partners to help you with the sale every time! Visit your web page <https://www.THAHD.com>

**TH&A**

Todd Haley & Associates



MASTER BRAND  
CABINETS, INC.