

Thomasville¹⁹⁰⁴ Studio

CABINETS

Visit us at thomasvillecabinetry.com

or

<https://www.THAND.com>

March 2022 Training Agenda

MASTERBRAND
CABINETS, INC.

Costello Partial Overlay Painted - Fossil



Costello Partial Overlay

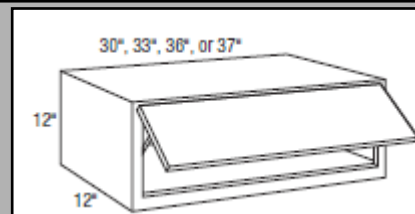
**Mortise and Tenon
Shaker Style Door
with veneer Center
Panel construction.**

Partial Overlay
\$206 LF—Painted

- Square Wall and Square Base Shaker Style Doors
- Veneer or PureStyle™ Flat Panel
- 1/2" Partial Overlay
- 3/4" Solid Slab Drawer Front
- A heat shield is required to separate PureStyle™ doors, drawer fronts, overlay fillers, and all laminate products from heat producing units to be in compliance with cabinet warranty.

Pg. 10

Wall Top Hinge



WTH3012
WTH3612

- 30" & 36" Wide (WTH3012 & WTH3612) use non-standard configuration doors where grain on center panels and non-miter door rail configuration is unique from adjacent cabinet doors. Madsen will have a standard vertical grain pattern. See page 5 for more details.
- Cabinet may utilize one or two lift mechanisms depending on door size and weight. Door lift mechanism tension can be field adjusted.
- Door will open a maximum of 107° due to hinges. For applications close to a ceiling, door angle can be restricted to 86° with a Hinge Angle Restriction Clip (HINGERESCLIP, see page 512).
- Lift mechanisms and mounting brackets will be visible if used with transparent textured glass.
- Lift mechanism not available for order for field installation, only available factory installed.

Pg. 86

TH&A

Todd Haley & Associates

Adam Johnson
678-736-9934

ajohnson@toddhaley.com

Ginny Edens
770-424-7518

gedens@toddhaley.com

Paul Cunningham
615-681-2686

pcunningham@toddhaley.com

Thomas D. Clarke, CKD
225-240-0529

tclarke@toddhaley.com



Thomasville Studio 1904

a modern, vintage vibe cabinetry offering that is exclusive to Home Depot!

Thomasville Studio 1904
CABINETRY



Things I Love About Studio!

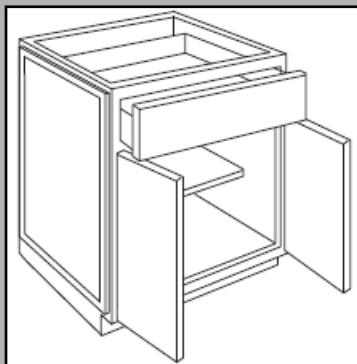
Debbie Williams HD_6303 Panama City,

"I lead my clients towards Studio when their budget is challenged. I can usually give them everything they are looking for without breaking the bank."

"People crying about stepping on Legos have never heard of Jacks." ~ Marilyn Trueblood

Modifications

AUTH__ Authentic Ends



AUTHB (both)

AUTHL (left)

AUTHR (right)

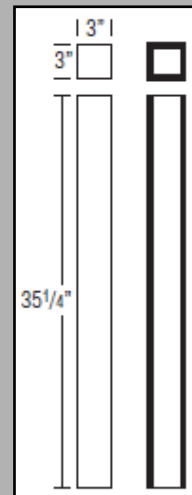
PG.48

Modifies cabinet end panel (s) with applied decorative door (s) onto FPEB upgraded end panel (s). Includes FPEB modification. If AUTHL or AUTHR upgrades are specified, the opposite end panel is also FPEB. For tall cabinets, non-miter doors have two panels on the bottom door. Office base cabinets (29" high) will have double door configuration when specified on 24" deep cabinets. Available on most cabinets with depths of 12", 15", 18", 21", or 24".

Embellishments

Square Island Leg

JSQISLLEG3



- Trimmable.
- See page 409 for ordering guidelines.
- Finished edges indicated by bold lines on side view drawing.

PG. 451

Thank you for selling your House Brand, Thomasville Cabinetry! We are your partners to help you with the sale every time! Visit your web page <https://www.THAHD.com>

TH&A

Todd Haley & Associates



MASTERBRAND
CABINETS, INC.