

# Thomasville Classic

CABINETS, INC.



**MASTER BRAND**  
CABINETS, INC.

**The Thomasville Report**

**January 2022**

Visit us at  
[thomasvillecabinetry.com](http://thomasvillecabinetry.com)  
Or  
<https://www.THAHD.com>

## Turner Maple Niagara

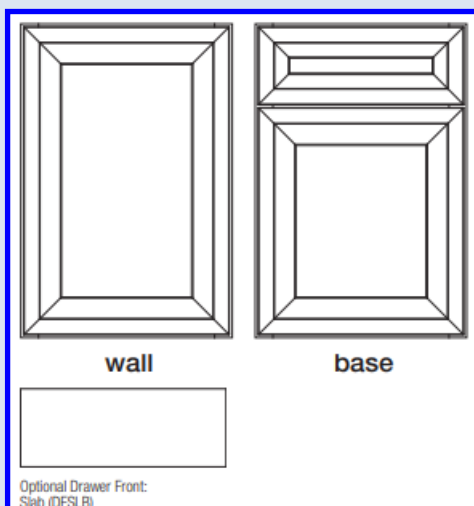


PG.19

- ◇ Transitional Veneer Flat Panel Mitered Door
- ◇ 3" wide Door Rails
- ◇ 5-PC Drawer Front Mitered to Match Door
- ◇ Additional Drawer Front Options on pg.46

**Maple**  
**\$292 LF**

**Cherry**  
**\$342 LF**

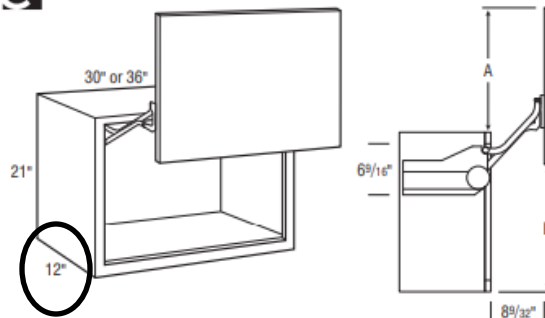


Optional Drawer Front:  
Slab (DFSLB)

## Wall Vertical Lift



WVL3021; WVL3621

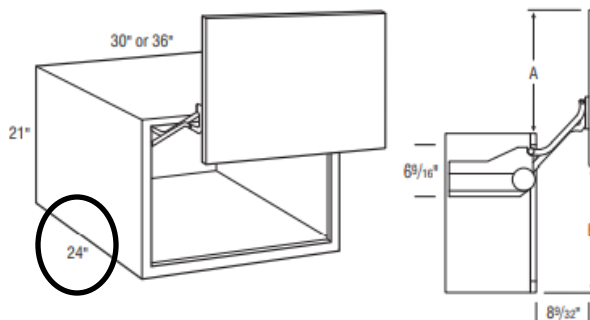


	Full Overlay	Modified Full Overlay	Partial Overlay
A	20"	19 1/4"	19 1/4"
B	20 1/2"	20 1/2"	21 1/4"

Pg. 98



WVL 302124; WVL362124



	Full Overlay	Modified Full Overlay	Partial Overlay
A	20"	19 1/4"	19 1/4"
B	20 1/2"	20 1/2"	21 1/4"

Pg. 100

**TH&A**

Todd Haley & Associates

Adam Johnson  
678-736-9934

[ajohnson@toddhaley.com](mailto:ajohnson@toddhaley.com)

Paul Cunningham  
615-681-2686

[pcunningham@toddhaley.com](mailto:pcunningham@toddhaley.com)

Thomas D. Clarke, CKD  
225-240-0529

[tclarke@toddhaley.com](mailto:tclarke@toddhaley.com)

Ginny Edens  
770-424-7518

[gedens@toddhaley.com](mailto:gedens@toddhaley.com)

## What Designers are saying about Thomasville:



I love Thomasville for the variety and broad spectrum of offerings given. If someone wants a particular attachment, color, or organizational item added to their kitchen, I know I can find it in the catalog. Two of my favorites are the mixer stand and the diagonal drawer divider for the 36" drawer cabinet. You can be sure I will include it in my own Thomasville kitchen!

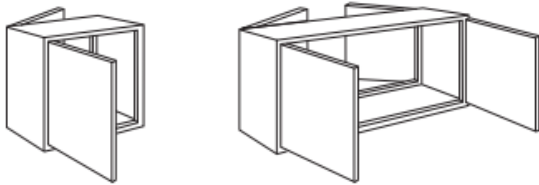
**Darlene Hensel—HOME DEPOT 0133 Cartersville, GA**



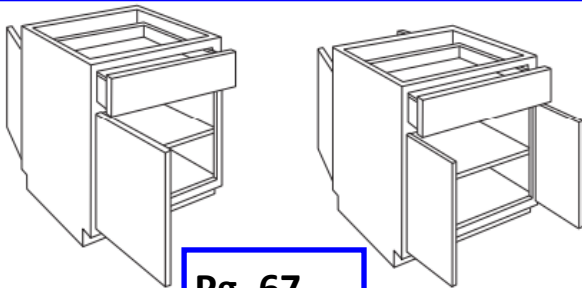
Your present circumstances don't determine where you can go. They merely determine where you start.

## MODIFICATIONS

### P-Peninsula



Wall cabinets



Base cabinets

**Pg. 67**

This Modification creates a **peninsula cabinet** that is 1/4" deeper than the standard depth. If RD or ID is specified, cabinet will be 1/4" deeper than the specified cabinet depth. **Single door cabinets are hinged on the same end.** Not available on tall cabinets including oven, utility, and pantry, and multi-drawer base cabinets. **Base cabinets with drawers modified to peninsula will include a false drawer panel on the back side, and working doors.** Peninsula cabinets are **not designed to be used as stand alone island cabinets.**

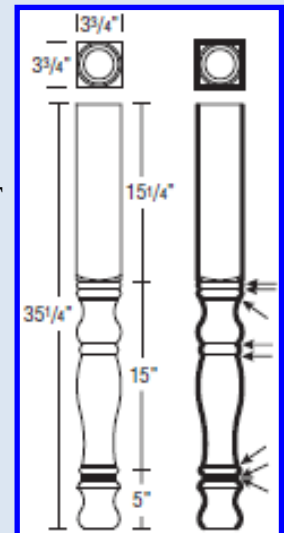
## EMBELLISHMENTS

### English Country Leg



## JENGCNTYLEG

- ◇ TRIMMABLE
- ◇ ORDERING GUIDELINES ON PG.409
- ◇ BOLD LINES REPRESENT FINISHED EDGES.
- ◇ ARROWS INDICATE GLAZED EDGES



#### Technique Options

Distressing  Heirloom

#### Availability Options

<input checked="" type="checkbox"/> Cherry	<input checked="" type="checkbox"/> Maple	<input checked="" type="checkbox"/> MDF	<input checked="" type="checkbox"/> Oak	<input checked="" type="checkbox"/> Painted	<input checked="" type="checkbox"/> PureStyle™	<input type="checkbox"/> Rustic Alder	<input type="checkbox"/> Rustic Hickory	<input type="checkbox"/> Specialty Laminate
<input type="checkbox"/>	<input type="checkbox"/>	<input type="checkbox"/>	<input type="checkbox"/>	<input type="checkbox"/>	<input type="checkbox"/>	<input type="checkbox"/>	<input type="checkbox"/>	<input type="checkbox"/>
<input type="checkbox"/>	<input type="checkbox"/>	<input type="checkbox"/>	<input type="checkbox"/>	<input type="checkbox"/>	<input type="checkbox"/>	<input type="checkbox"/>	<input type="checkbox"/>	<input type="checkbox"/>

**Pg. 451**

Thank you for selling your House Brand, Thomasville Cabinetry! We are your partners to help you with the sale every time! Visit your web page <https://www.THAHD.com>

**TH&A**

Todd Haley & Associates



**MASTER BRAND**  
CABINETS, INC.