

Thomasville® Nouveau

CABINETRY



MASTERBRAND
CABINETS, INC.

The Nouveau Report

September 2022

Visit us at
thomasvillecabinetry.com
Or
<https://www.THAHD.com>

Scotia Maple Conifer

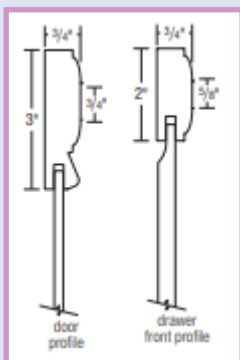
Wood Hood Shiplap



PG.16

- Mitered Corners, Beaded frame profile
- 3/4" solid wood stiles and rails
- 3/16" veneer recessed door center panel
- 5 PC recessed drawer front with 1/2" solid center drawer panel
- When ordering painted Maple, door and drawer center panels will be MDF

- Doors under 8" wide are slab



Construction Specifications/Options:

White Interior	
Natural Interior	✓
Glass Inserts	✓
Plywood Construction Available	Upgrade
Metal Drawers*	✓
Wood Drawers	✓

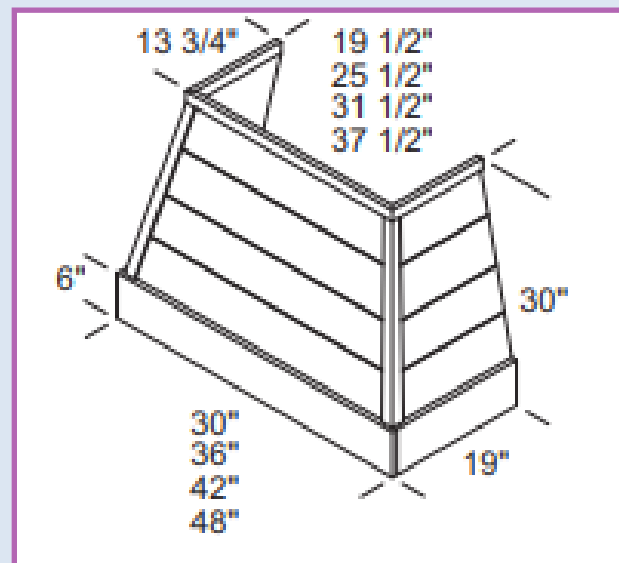
*Drawer bottom and back will match interior of cabinet.

Oak \$287/LF
Rustic Alder \$287/LF
Maple \$333/LF
Cherry \$363/LF
Rift Oak \$363/LF

WHSL30, 36, 42, 48

PG. 152

- * Available in Cherry, Maple, MDF, Oak, and Rustic Alder (Rustic Alder will be constructed using clear Alder)
- * Silver metallic liner included, assembly required
- * Designed for use with BLOWER400, BLOWER600, BLOWER1100 (NOT INCL.)
- * Properly secure to wall, not adjacent cabinets. Installation hardware and instructions included
- * No changes or cancellations accepted 24 hours after acknowledgement of order



TH&A

Todd Haley & Associates

Adam Johnson
678-736-9934

ajohnson@toddhaley.com

Paul Cunningham
615-681-2686

pcunningham@toddhaley.com

Thomas D. Clarke, CKD
225-240-0529

tclarke@toddhaley.com

Ginny Edens
770-424-7518

gedens@toddhaley.com

What Designers are saying about Thomasville Nouveau:

“ I like the selections and color options”

Gigi Soomro HD0881 Birmingham, AL



“Believe in yourself. You are braver than you think, more talented than you know, and capable of more than you imagine.”

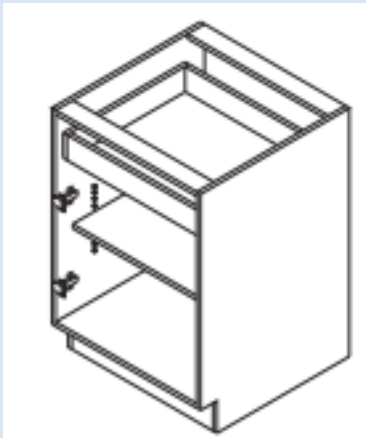
Modifications



Wood Hood Blower Inserts

CAR-carcase

PG.48



- Available for most wall, base, tall, and vanity cabinets
- Comes without doors, drawer/false panels, filler panels, microwave shelves
- Carcase pricing does not include additional options or accessories

BLOWER600

- 600CFM capacity, 9.5 sones on high setting
- WiFi Enabled, Auto-Sensing, and Heat Sentry technology
- Four speed push button control, two 3 watt LED lights

BLOWER400

- 400CFM capacity, 7 sones on high setting
- Heat Sentry technology
- Three speed rotary switch, two 2.8 watt LED lights

Both new blowers include removable dishwasher safe grease filters, are compatible with all wood hoods, and come in Stainless Steel finish. Installation instructions, warranty, and repair information is included with every blower. No changes or cancellations will be accepted 24 hours from acknowledged orders.

PG.156

Thank you for selling your House Brand, Thomasville Nouveau!

We are your partners to help you with the sale every time!

Visit your web page <https://www.THAHD.com>

TH&A

Todd Haley & Associates



MASTERBRAND
CABINETS, INC.