

Thomasville Elements

CABINETRY

Visit us at thomasvillecabinetry.com

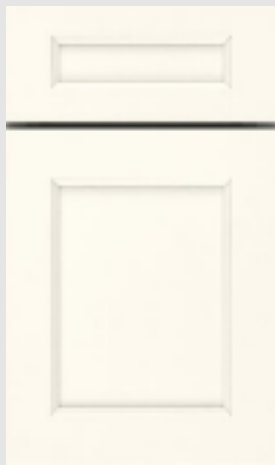
Or

<https://www.THAHD.com>

October 2022 Training Agenda



Everly Painted White



- * Full Overlay Transitional Door Style
- * 3" Wide Rail
- * Recessed Veneer Center Panel
- * 5PC Drawer Front Standard
- * Available in Painted White & Sterling

White & Sterling \$249/LF

Keep jobs on track with ELEMENTS. Delivers to customer in 10-21 business days!*

Pg. 6

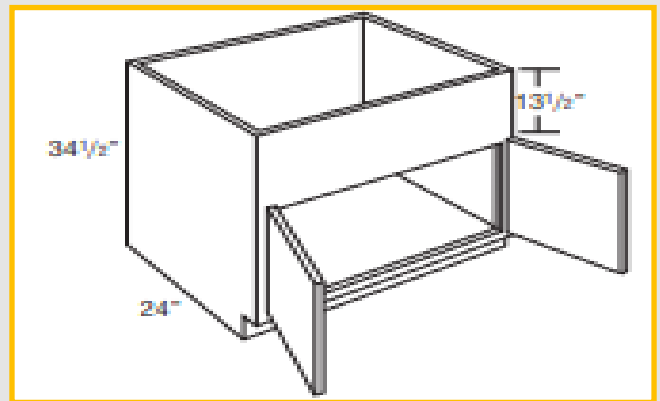
- 1/2" plywood ends
- 3/8" top, back, bottom and I-beams
- 3/4" hardwood face frame
- 5/8" solid wood dovetail drawer box
- QuietClose, undermount full extension drawer glides
- Matching end panels
- 3/4" plywood adjustable shelves
- Natural maple laminate interior
- QuietClose, 6-way adjustable hinges

High quality and eco-friendly.



Country Sink Base

CNTYSB36-Country Sink Base



- ELEMENTS offers the sku's you want
- Apron Front Country Sink Base 36" wide
- 13-1/2" panel can be trimmed up to 12"
- MTUK mini touch up kit included with all kitchen sink base cabinets
- See sink manufacturers specifications for additional support required for apron front sinks

Pg. 40

TH&A

Todd Haley & Associates

Paul Cunningham

615-681-2686

pcunningham@toddhaley.com

Adam Johnson

678-736-9934

ajohnson@toddhaley.com

Christian Pellage

803-846-1902

cpellage@toddhaley.com

Ginny Edens

770-424-7518

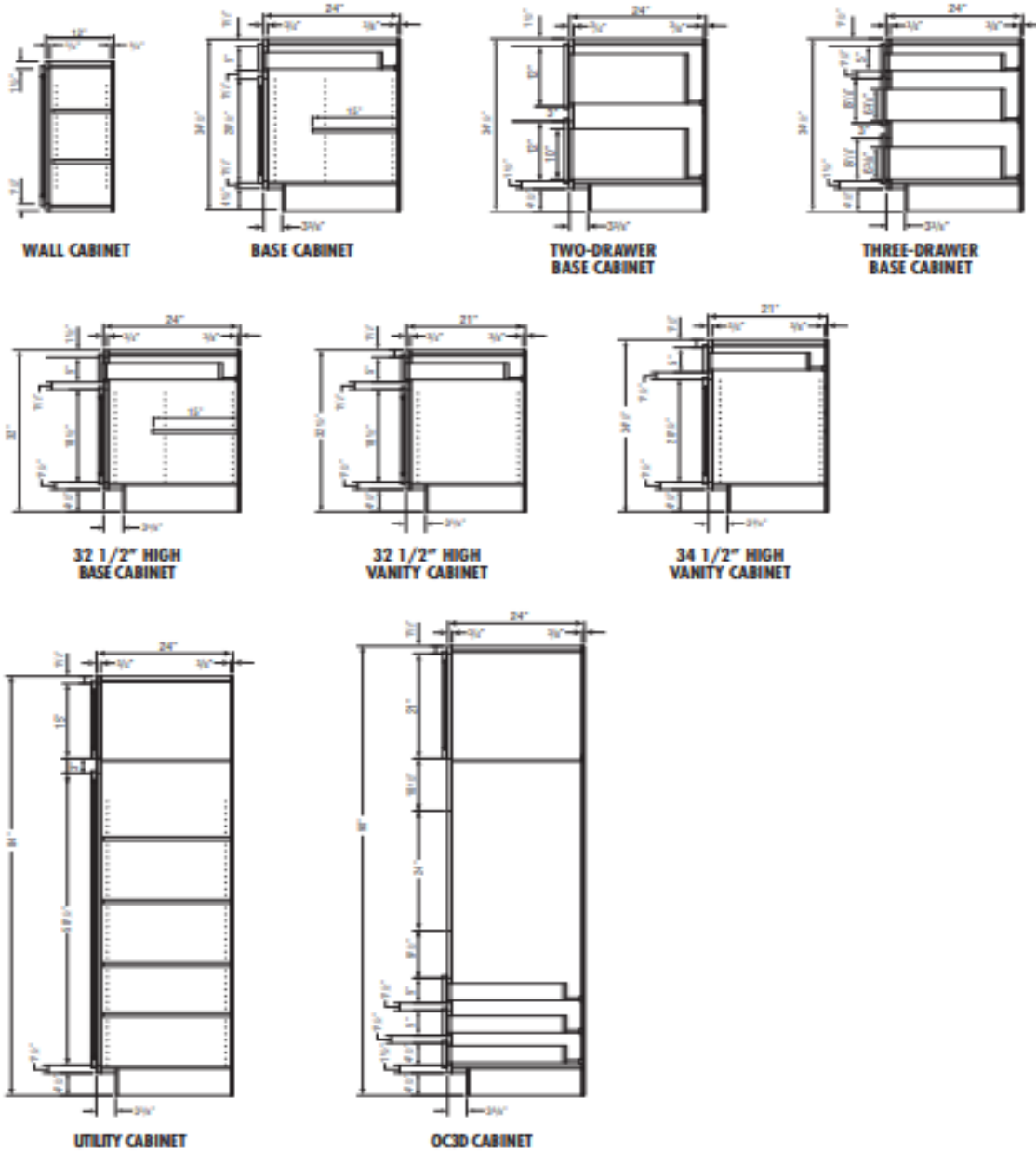
gedens@toddhaley.com



Thomasville *ELEMENTS* a modern, vintage vibe cabinetry offering that is exclusive to The Home Depot!

Thomasville Elements
CABINETS

CABINET DIMENSIONS



Thank you for selling your House Brand, Thomasville Cabinetry! We are your partners to help you with the sale every time! Visit your web page <https://www.THAHD.com>

TH&A

Todd Haley & Associates



MASTERBRAND
CABINETS, INC.