

# Thomasville<sup>®</sup> Artisan

CABINETS, INC.



MASTERBRAND  
CABINETS, INC.

## The Artisan Focus

December 2022

Visit us at

[ThomasvilleCabinetry.com](http://ThomasvilleCabinetry.com)

Or

<https://www.THAHD.com>

### Jansen



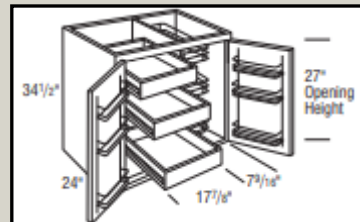
- Jansen shown in Maple Bali
- Solid Reverse Raised Panel Door with 3" Wide Rails, Full Overlay
- 5pc Flat Center DF
- Solid slab drawer fronts (DFSLB) and solid slab drawer front top (DFSLBT)

- Doors smaller than 9-25/32" wide will have a 2-29/32" end rail
- Doors under 8-9/16" wide will be slab
- 1/8" EXL and/or EXR options recommended with altered depths, adjacent cabinets with opposite hinging, and cabinet adjacent to a fixed wall.
- When Maple Color or Brushed finishes are specified, the center panels of the selected style may be constructed of Medium Density Fiberboard (MDF).

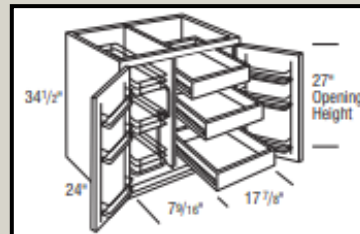
Maple \$425 LF  
Cherry \$469 LF  
Rustic Alder \$425 LF  
Quarter Sawn Oak \$469 LF

Page 7

### Base SuperCabinet™



**BSC30RP**  
Roll out on left  
Pull out on right



**BSC30PR**  
Pull out on left  
Roll out on right

- Roll trays are Full Extension side mounted
- Roll outs and Pull outs are 20" deep
- Face Frame and Door on End or Authentic End not available on ends with roll trays
- Cabinet utilizes 170\* hinges
- QuietClose feature not available
- For proper clearance, 12" of adjacent space is required to open 170\* when installed near a wall or corner

Page 272

**TH&A**

Todd Haley & Associates

Adam Johnson  
678-736-9934  
ajohnson@toddhaley.com

Ginny Edens  
770-424-7518  
gedens@toddhaley.com

Paul Cunningham  
615-681-2686  
pcunningham@toddhaley.com

Christian Pellation  
803-846-1902  
cpellation@toddhaley.com

What is your “Favorite Thing” about Artisan Cabinetry?

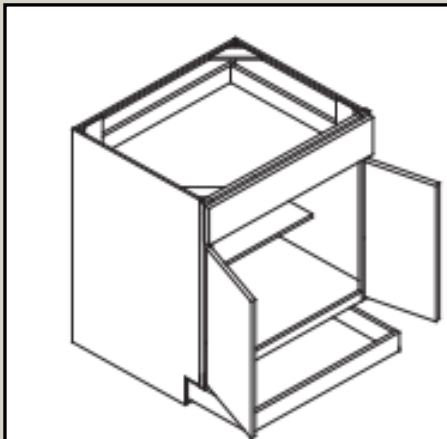
Chris VanGieson HD0704 Cordova, TN

“My customers are all about the colors”.



## Modifications

### DRWTK-toekick drawer

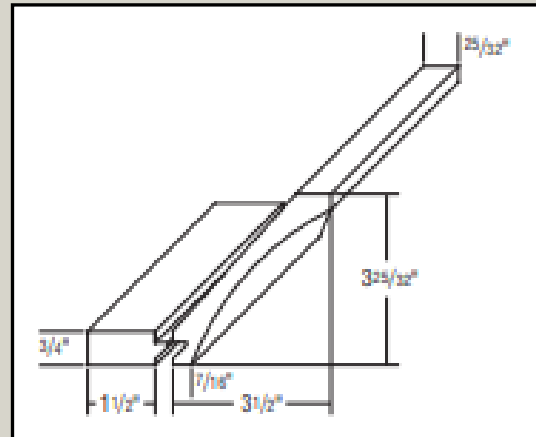


- Cabinets 21” or 24” deep with Toekicks are available for this modification
- Increments of 1/4” on all 15” to 36” wide base and tall cabinets that have standard toekick construction
- Not available on cabinets less than 15” wide
- DRWTK is Push-to-Open
- QuietClose is standard
- Front is unfinished
- Not available on cabinets with Clipped Corners, ID or RD, cabinets with Modified Bottom Rails, or cabinets with Modified Toekicks

Page 91

## Embellishments

### COVECROWN



- COVECROWN: 5” x 3-25/32” x 96”
- Available in these finish techniques: DS, DS+, HLM, WTG
- Rustic Alder characteristics are available

Page 614

Thank you for selling Artisan Cabinetry!  
We need & appreciate your business! Please  
visit your website <https://www.THAHD.com>.

**TH&A**

Todd Haley & Associates



MASTERBRAND  
CABINETS, INC.