

# Thomasville® Classic

CABINETS



**MASTER BRAND**  
CABINETS, INC.

**The Thomasville Report**

**December 2022**

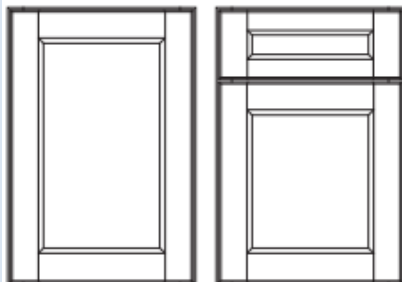
Visit us at  
[thomasvillecabinetry.com](http://thomasvillecabinetry.com)  
Or  
<https://www.THAHD.com>

## Jansen Maple



**CAYMAN**

- 3" wide door rails
- 1-1/4" full overlay
- 5pc drawer front standard w/ 1/2" veneer center panel
- Slightly rounded outer edge profile on door and drawer creates a sophisticated style with simple lines
- DFSLB Optional Slab drawer front (pg.46)
- DFSLBT Slab Top drawer front (pg.47)
- DPSRR optional (pg.48)



wall

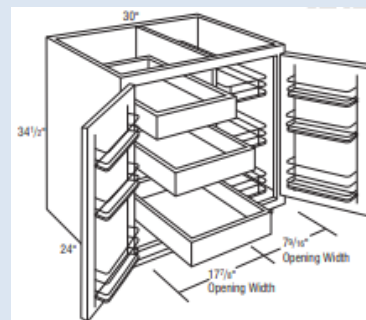
base

Optional Drawer Front: Slab (DFS.LB)

**MDF \$283 LF**  
**Maple \$304 LF**  
**Cherry \$323 LF**

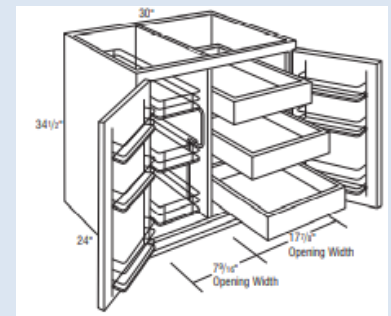
**PG.14**

## 30" SuperCabinet™



**BCS30RP**

**PG. 165**



**BCS30PR**

- Cabinets utilize 170\* hinges. Integrated QuietClose hinge not included. Premium door mechanism installed
- Roll trays are full extension side-mounted
- Each door features a chrome and wood three-tiered rack
- Door rack width is 9-3/8"
- Door rack depth is 3". For sufficient pull-out clearance, 12" of adjacent space is required to open to 170\*

**TH&A**

Todd Haley & Associates

Adam Johnson  
678-736-9934

[ajohnson@toddhaley.com](mailto:ajohnson@toddhaley.com)

Paul Cunningham  
615-681-2686

[pcunningham@toddhaley.com](mailto:pcunningham@toddhaley.com)

Christian Pellation  
803-846-1902

[cpellation@toddhaley.com](mailto:cpellation@toddhaley.com)

Ginny Edens  
770-424-7518

[gedens@toddhaley.com](mailto:gedens@toddhaley.com)

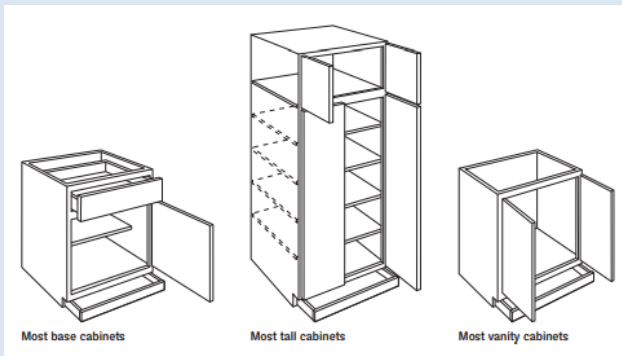
**What Designers are saying about Thomasville:  
Linda Kellogg HD1114 Rock Hill, SC**



**“My favorite things about Thomasville Classic are the stacked cabinets and the variety of colors & finishes**

**MODIFICATIONS**

**DRWTK- drawer toe kick**

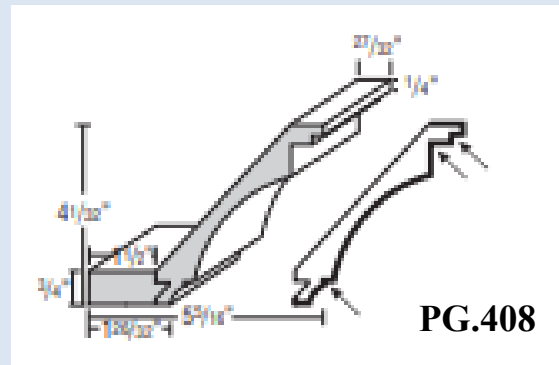


- Available on most cabinets with standard toekick, and Wall cabinets with ADDTK
- Replaces standard toekick with toekick drawer
- Push to open feature with full extension side mount guides. Does not include QuietClose
- Available on most 21” - 24” deep cabinets 18”-36” wide
- Front of toekick drawer is unfinished, allow enough toe board material to cover
- Exterior dimensions of toekick drawer are 3-3/8” tall and 15” or 18” deep
- 1” clearance below toekick drawer

**PG.63**

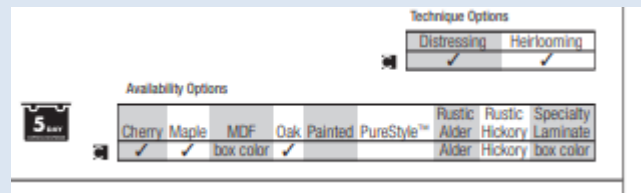
**EMBELLISHMENTS**

**COTCROWN8**



**PG.408**

- Cleat shipped unattached, can be used for top mount or face frame applications
- 1” or top mount applications on stained finishes
- Not recommended to pull the moulding forward with the cleat visible due to possible color variation with face frame and moulding
- Finished edges indicated by bold lines on the side view. Glazed edges indicated by arrows on side view drawing



Thank you for selling your House Brand, Thomasville Cabinetry! We are your partners to help you with the sale every time! Visit your web page <https://www.THAHD.com>

