

Thomasville Elements

CABINETRY

Visit us at thomasvillecabinetry.com

Or

<https://www.THAHD.com>

November 2022 Training Agenda

MASTERBRAND
CABINETS, INC.

Everly Painted Sterling



- * Full Overlay Transitional Door Style
- * 3" Wide Rail
- * Recessed Veneer Center Panel
- * 5PC Drawer Front Standard
- * Available in Painted White & Sterling

White & Sterling \$249/LF

Keep jobs on track with ELEMENTS. Delivers to customer in 10-21 business days!*

Pg. 6

- 1/2" plywood ends
- 3/8" top, back, bottom and I-beams
- 3/4" hardwood face frame
- 5/8" solid wood dovetail drawer box
- QuietClose, undermount full extension drawer glides
- Matching end panels
- 3/4" plywood adjustable shelves
- Natural maple laminate interior
- QuietClose, 6-way adjustable hinges

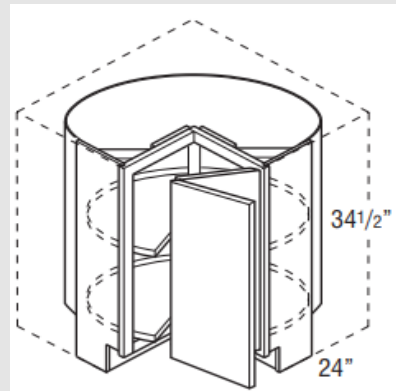
High quality and eco-friendly.



CARB COMPLIANT

Base Lazy Susan

BLS36R– Base Lazy Susan



- Wall Width is 36"x36"
- Cabinet is Drum-shaped; adjoining cabinets create sides
- Features two white plastic shelves
- Decorative hardware screws must be counter-sunk to prevent scratching of adjacent cabinets and face frame of BLS
- Not recommended for se next to an appliance deeper than standard cabinet
- QuietClose not available

Pg. 44

TH&A

Todd Haley & Associates

Paul Cunningham

615-681-2686

pcunningham@toddhaley.com

Adam Johnson

678-736-9934

ajohnson@toddhaley.com

Christian Pellage

803-846-1902

cpellage@toddhaley.com

Ginny Edens

770-424-7518

gedens@toddhaley.com



Thomasville *ELEMENTS* a modern, vintage vibe cabinetry offering that is exclusive to The Home Depot!

Thomasville Elements
CABINETS, INC.

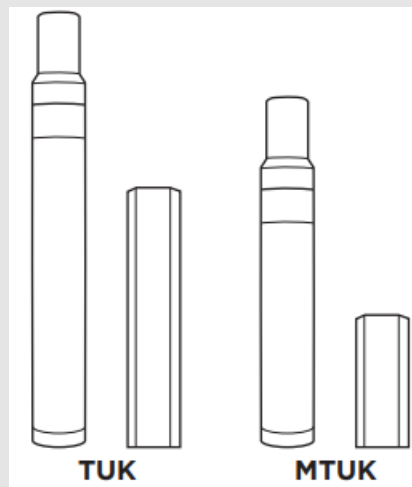
Touch-Up Kits

TUK– Touch-Up Kit

TUK Includes touch-up marker and a fill stick

MTUK– Mini Touch-Up Kit

MTUK includes small touch-up marker and a small fill stick



Pg. 82

Thank you for selling your House Brand, Thomasville Cabinetry! We are your partners to help you with the sale every time! Visit your web page <https://www.THAHD.com>

TH&A

Todd Haley & Associates



MASTERBRAND
CABINETS, INC.