

Thomasville® Classic

CABINETRY

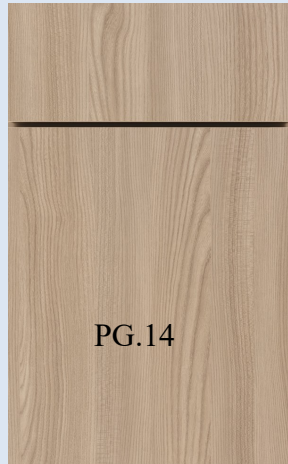
The Thomasville Report

Visit us at
thomasvillecabinetry.com
 Or
<https://www.THAHD.com>

MASTERBRAND®

July 2023

FAULKNER Specialty Laminate



PG.14

Wool w/ white
box

- Faulkner is a full overlay vertical grain laminate slab door with Matching Edgebanding
- Sleek, contemporary, and durable
- Doors, drawer fronts, overlay fillers, and selected **premium** trim items will be in selected laminate finish (Choose Panels, Trims, and Mouldings labeled **PREMIUM** with the suffix "P" to insure the correct items are ordered
- All other cabinet components and trim items

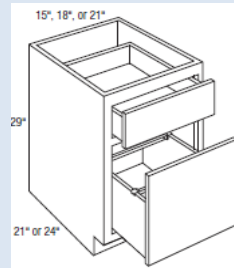
will be in the cabinet box color

- A heat shield is required (pg.472) to separate laminate products from heat producing appliances
- Ravine, Talon, and Wool feature a textured surface, Greyhound and Wishbone are non-textured
- **Note:** page 25 spec book– Dover box color has been replaced with White

Laminate \$361 LF

Desk File Drawer Base DFD & DDFD

DFD



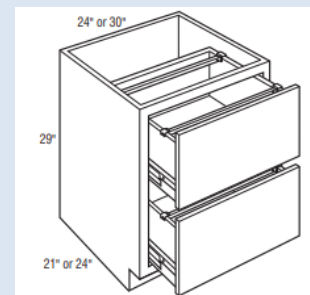
Widths - 15", 18", 21"
 Depths - 21" and 24"
 Height - 29"

- Door is attached to file drawer; File drawer height is 10"

- Includes Filing System Hardware Kit, which accommodates letter and legal filing

DDFD

- Both drawers utilize 125 lb. full extension progressive side-mounted guides; Does not feature QuietClose™ mechanism
- Bottom of drawers not designed to support weight; File drawer height is 9-1/2"
- 24" and 30" widths
- 21" depth
- Filing System Hardware Kit Included



PGS. 309 –310

TH&A

Todd Haley & Associates

Adam Johnson
678-736-9934

ajohnson@toddhaley.com

Paul Cunningham
615-681-2686

pcunningham@toddhaley.com

Christian Pellage
803-846-1902

cpellage@toddhaley.com



What Designers are saying about Thomasville:



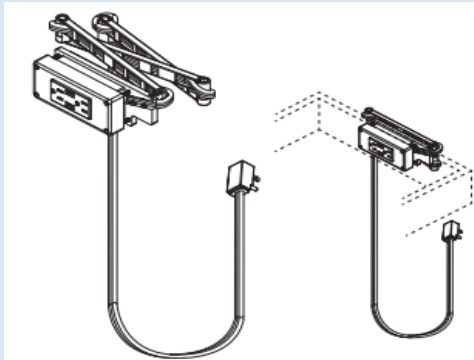
"I've always liked selling Thomasville Classic. The collection has the right amount of options for designing the right kitchens".

Kara Wachter HD3646 Charlotte, NC

MODIFICATIONS

PREMIUM SKINS and PANELS for SPECIALTY LAMINATE DOOR STYLES

DRWPWR– PowerGlide™ compact drawer outlet



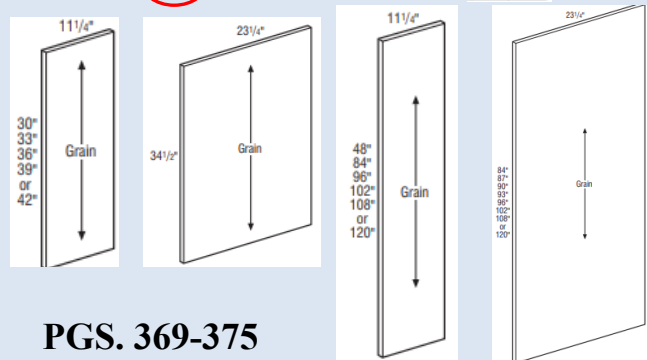
PG.59

- This modification is available on most Base Cabinets with top drawers 18"-36"
- Installs into the drawer box of a single top drawer, both top drawers of a standard base cabinet, or either L or R top drawer
- **NOTE:** spec book error... NOT available on 39", 42", 45", or 48" wide base cabinets. Please notate on pages 159, 171, 172
- Includes two 120V electrical plug-ins and two 2.1 amp rated USD charging ports; total capacity 15 amps
- Cord is 14 gauge wire, 3' long, with 3 prong plug requiring GFCI outlet

**WEPS__P; BEPS34.5P; TEPS12____P*;
TEPS__P*; BP4830P, BP4834.5P, BP4840.5P
BP4896P***

- 1/4" thick laminated MDF panels
- Not compatible with FPEB
- * 5 day ER may not be available

	Faulkner	Yuma
Greyhound w/Swan Cabinet Box	●	●
Wishbone w/White Cabinet Box	●	●
Ravine w/Chocolate Maple Cabinet Box	●	●
Talon w/Trestle Maple Cabinet Box	●	●
Wool w/White Cabinet Box	●	●



PGS. 369-375

Availability Options

Cherry	Maple	MDF	Oak	Painted	PureStyle™	Rustic Alder	Rustic Hickory	Specialty Laminate
								<input checked="" type="checkbox"/>

¹102", 108", and 120" not available in Greyhound and Ravine.

Thank you for selling your House Brand, Thomasville
Cabinetry! We are your partners to help you with the sale
every time! Visit your web page <https://>

TH&A

Todd Haley & Associates

MASTERBRAND