

# Thomasville® Nouveau

CABINETS



**MASTERBRAND**  
CABINETS, INC.

**The Nouveau Report**

**June 2022**

Visit us at  
[thomasvillecabinetry.com](http://thomasvillecabinetry.com)  
Or  
<https://www.THAHD.com>

## Jules Cherry Pebble

## Vanity Sink Inverted



- 3/4" slab veneer, non book-matched vertical grain on door and drawer fronts
- 1/8" thick wood edging
- For Mullion and NI (No Insert doors)(PG.46), use Anson door style as it has similar corner rounding

PG.8

CHERRY	MAPLE	MDF	OAK	RIFT OAK	RUSTIC ALDER
<input checked="" type="checkbox"/>	<input checked="" type="checkbox"/>	<input checked="" type="checkbox"/>	<input checked="" type="checkbox"/>	<input checked="" type="checkbox"/>	<input type="checkbox"/>

Jules is the ultimate style for the lover of sleek refinement. Subtle corner rounding adds tailoring to the contemporary richness of this fine wood veneer door.

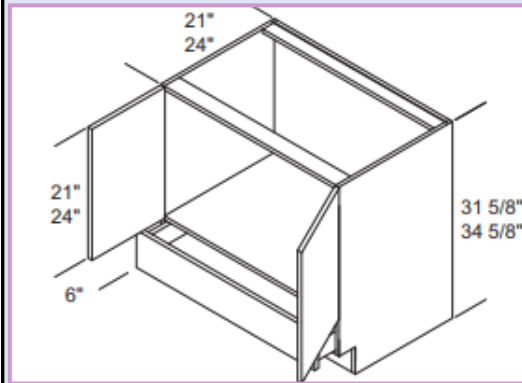
**Construction Specifications/Options:**

White Interior	<input type="checkbox"/>
Natural Interior	<input checked="" type="checkbox"/>
Glass Inserts	<input checked="" type="checkbox"/>
Plywood Construction Available	Upgrade
Metal Drawers*	<input checked="" type="checkbox"/>
Wood Drawers	<input checked="" type="checkbox"/>

\*Drawer bottom and back will match interior of cabinet.

**Oak \$333/LF**  
**MDF \$333/LF**  
**Maple \$339/LF**  
**Cherry \$416/LF**  
**Rift Oak \$416/LF**

**VSN \_\_\_ 31.624; VSN \_\_ 34.624**

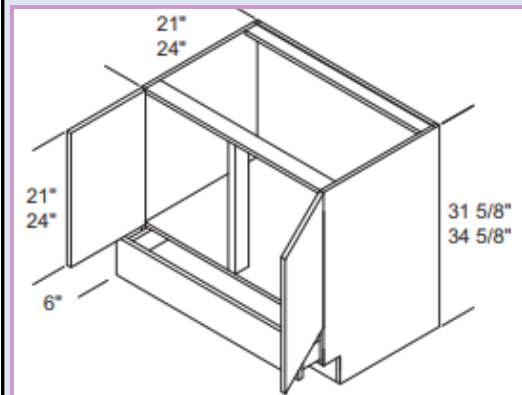


**24", 27", 30" Widths**



DEPTH = 24"

**PG. 303**



**33" & 36" Widths**

**Custom Modification Options**

170°	RDL/	TKB/																				
HINGE	BEK	CAR	CD*	CFD	CH	CND	CW	DE	FF	FINTK	FTK	FWD	FWFF	NCS	NTK	OS	ROD*	SOT	TKL/TKR	TLDR	TLDWR	
<input checked="" type="checkbox"/>	<input checked="" type="checkbox"/>	<input checked="" type="checkbox"/>	<input checked="" type="checkbox"/>	<input checked="" type="checkbox"/>	<input checked="" type="checkbox"/>	<input checked="" type="checkbox"/>	<input checked="" type="checkbox"/>	<input checked="" type="checkbox"/>	<input checked="" type="checkbox"/>	<input checked="" type="checkbox"/>	<input checked="" type="checkbox"/>	<input checked="" type="checkbox"/>	<input checked="" type="checkbox"/>	<input checked="" type="checkbox"/>	<input checked="" type="checkbox"/>	<input checked="" type="checkbox"/>	<input checked="" type="checkbox"/>	<input checked="" type="checkbox"/>	<input checked="" type="checkbox"/>	<input checked="" type="checkbox"/>	<input checked="" type="checkbox"/>	<input checked="" type="checkbox"/>

**TH&A**

Todd Haley & Associates

Adam Johnson  
678-736-9934

[ajohnson@toddhaley.com](mailto:ajohnson@toddhaley.com)

Paul Cunningham  
615-681-2686

[pcunningham@toddhaley.com](mailto:pcunningham@toddhaley.com)

Thomas D. Clarke, CKD  
225-240-0529

[tclarke@toddhaley.com](mailto:tclarke@toddhaley.com)

Ginny Edens  
770-424-7518

[gedens@toddhaley.com](mailto:gedens@toddhaley.com)

**What Designers are saying about Thomasville Nouveau:**

“I love the “1/2” size cabinets. They make designing those small kitchens so much easier. I also like the custom width option. These features allow me to maximizes the storage in smaller kitchens ”.



Krys Hannum HD0805 Pelham, AL

“Good Design Doesn't Cost, But It Pays” Richard Driehaus

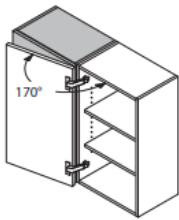
**Modifications**

**Embellishments**

**170\* Hinge Upgrade-170NC**

170NC - 170° Hinge Upgrade

PG.45



170° clip hinge

HIN170SO



- 170\* angle hinges are available as an upgrade option on all door styles
- Not to be used with Slide-out Trays, trash cabinets or mixer shelf
- QuietClose™ is not integrated into the hinge. Soft-170SO is attached to the hinge

QuietClose™ 170°

SOFT-170SO



Look for this chart below all cabinets in the spec book for available modification options.

Custom Modification Options												
170° HINGE	BEK	CAR	CD*	CFO	CH	CND	CW	DE	FF	FINTK	FTK	FWD
✓	✓	✓	✓	✓	✓	✓	✓	✓	✓	✓	✓	✓

**PCN**

PG. 400

**curved pull**

PCN



- \* Nickel Finish
- \* Center to Center 3-25/32”, Height 7/16”, Width 7/8”, Overall Length 4-1/4”
- \* Screws are not included. See page 405

**hardware screw - door**

HS1  
HS125



- 1" for attaching pulls to door.
- 1 1/4" for attaching knobs to door.

**hardware screw - drawer**

HS1375  
HS1625  
HS175



- 1 3/8" for 5-piece recessed drawer fronts.
- 1 3/4" for wood drawer box handles.

Thank you for selling your House Brand, Thomasville Nouveau!  
We are your partners to help you with the sale every time!  
Visit your web page <https://www.THAHD.com>

**TH&A**

Todd Haley & Associates



**MASTERBRAND**  
CABINETS, INC.