

Thomasville® Nouveau

CABINETY

MASTERBRAND

The Nouveau Report

April 2023

Visit us at
thomasvillecabinetry.com
 Or
<https://www.THAHD.com>

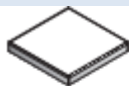
Jules Acrylic Calais

Base Pull-Out Pantry

PG.9

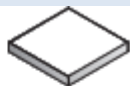
- Jules is a slab acrylic door with an MDF core
- Must upgrade to finished ends for matching end panels (pg.22)
- Standard white interior
- Properly installed heat-shields (pg.419) must be present for valid warranty

ACRYLIC \$433/LF



Layered Two Part Aluminum Edge

Finish	Back of Door Melamine Color
Calais	White
Iron	Storm (gray)



3D Aluminum Edgeband

Finish	Back of Door Melamine Color
Ammonite	Slate
Metallic Excalbur	Slate
Wired Metro	Storm (gray)
Wired Regal	Brittany Blue
Wired Riverbed	Slate

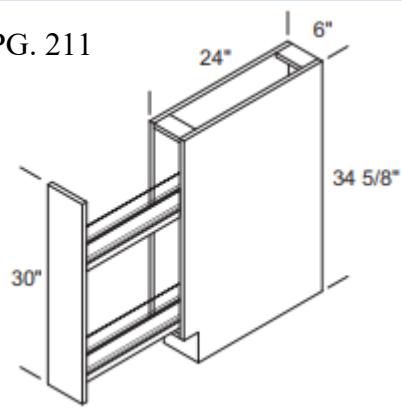
View these 7 finishes in Door Visualizer on Designer Handbook

Colors



B6FHXP

PG. 211



- * Two tiered chrome pull-out
- * QuietClose™ operation
- * 24" minimum unit depth
- * 4" wide non-adjustable chrome shelves with two adjustable dividers each
- * 17.6 lb. capacity
- * Pull-out hardware is mounted to the right end panel. Shelves are equally accessible from either side
- * Some door styles will be solid slab doors, others will have 3/16" flat center panel

TH&A

Todd Haley & Associates

Adam Johnson
678-736-9934

ajohnson@toddhaley.com

Paul Cunningham
615-681-2686

pcunningham@toddhaley.com

Christian Pellige
803-846-1902

cpellige@toddhaley.com

TH&A

Todd Haley & Associates



What Designers are saying about Thomasville Nouveau:



“I love the 1/2” size cabinets. They make designing those small kitchens so much easier. I also like the custom width option. These features allow me to maximize the storage in smaller kitchens”.

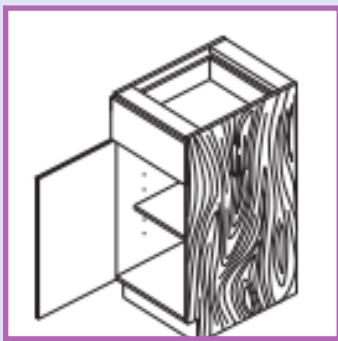
Krys Hannum HD0805 Pelham, AL

Modifications

Embellishments

FINISHED ENDS

PG. 38



FEB– finished ends both
FEL–finished ends left
FER–finished ends right

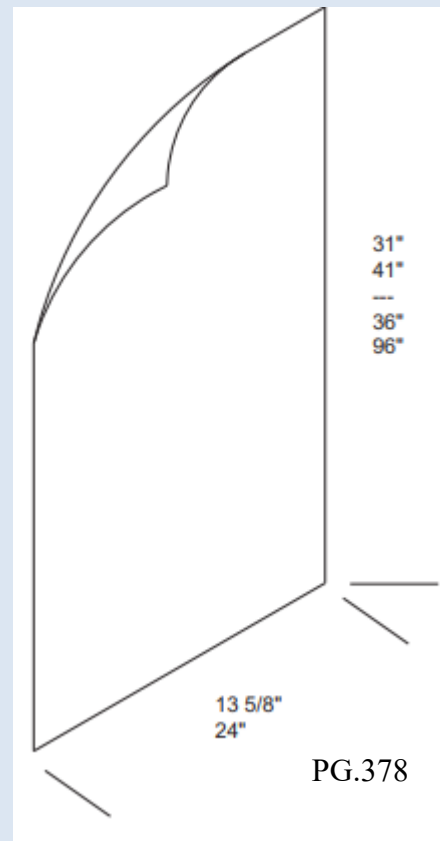
- Finishes end of cabinet with matching acrylic for high gloss doors, gloss thermofoil, and matching veneer for wood doors
- Custom depth wall cabinets over 13” use the Base/Vanity modification price
- Satin Oleander and Satin Lilly foils will have matching laminate
- Not available in thermofoil or melamine as those ends are already matching

Look for this Custom Modification Chart

Construction Upgrade Options					
FBTM/					
MBTM	FEB/FEL/	FER	MIE	MMIE	PLY
✓	✓	✓	✓	✓	✓

PSV ___ G

Pressure Sensitive Veneer



- 1/32” veneer w/ pre-applied adhesive

Species Availability Options									
			Gloss				Rift	Rustic	
Acrylic	Bamboo	Cherry	Thermofoil	Maple	MDF	Melamine	Oak	Oak	Alder
✓	✓	✓	✓	✓	✓	✓	✓	✓	Thermofoil cherry

Thank you for selling your House Brand, Thomasville Nouveau!

We are your partners to help you with the sale every time!

Visit your web page <https://www.THAHD.com>

TH&A

Todd Haley & Associates



MASTERBRAND
CABINETS, INC.