

Thomasville Elements

CABINETRY

Visit us at thomasvillecabinetry.com

Or

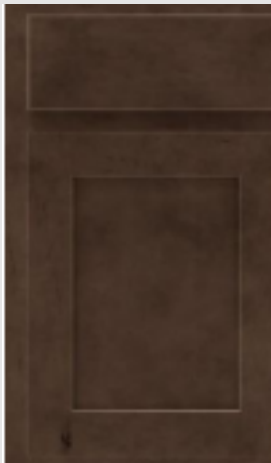
<https://www.THAHD.com>

March 2022 Training Agenda



Costello Partial Overlay

Base Easy Reach



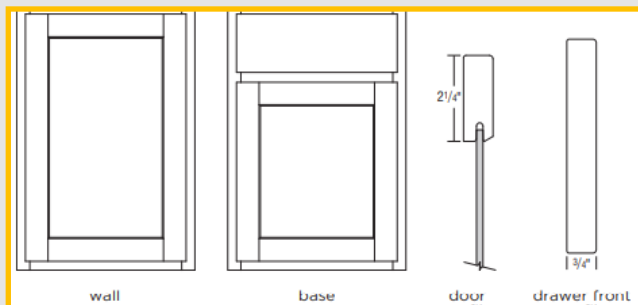
- * **Partial Overlay**
- * **Shaker Door Style**
- * **2-1/4" Stile & Rail**
- * **Veneer Center Panel**
- * **Slab DF Standard**
- * **Shown in Maple Trestle, available in Painted White**
- * **Delivers in 10-21 business days to customer***
- * **Depending on destination and excluding holidays**

Trestle \$ 169/LF
White \$ 175/LF

Pg. 6

Elements Product Specifications

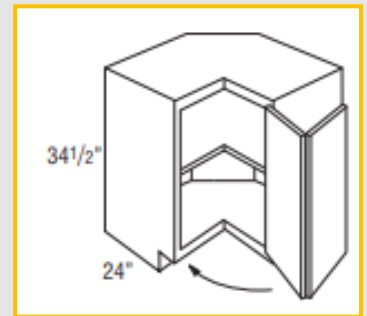
All Plywood Construction, 1/2" Ends, 3/8" top, back, bottom, and I-Beam braces; 3/4" hardwood frame; 5/8" dovetailed solid wood drawer box; QuietClose Undermount Full Extension Guides and 6-way adjustable hinges



BER36R

Pg. 43

Countersink decorative hardware screws to prevent scratching face frame and adjacent cabinets.



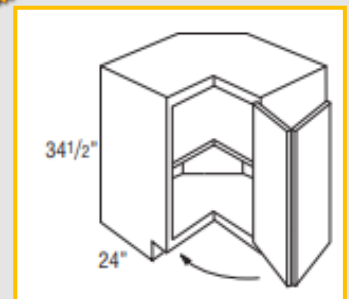
HINGED ON RIGHT, FLIP IN FIELD. **QUIETCLOSE™ NOT AVAILABLE ON THIS CABINET.** NOT RECOMMENDED FOR USE NEXT TO AN APPLIANCE DEEPER THAN STANDARD CABINET DEPTH.



Pg. 43

BER33R

Available in Costello Partial Overlay in White, Costello and Everly Full Overlay in White and Sterling.



NOT AVAILABLE IN COSTELLO PARTIAL OVERLAY TRESTLE OR COSTELLO FULL OVERLAY TRESTLE

Adam Johnson
678-736-9934
ajohnson@toddhaley.com

TH&A
Todd Haley & Associates

Ginny Edens
770-424-7518
gedens@toddhaley.com

Paul Cunningham
615-681-2686
pcunningham@toddhaley.com

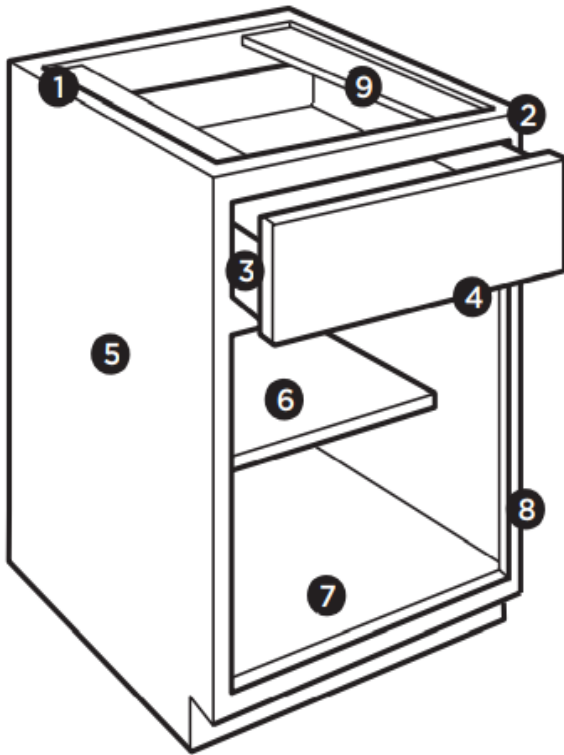
Thomas D. Clarke, CKD
225-240-0529
tclarke@toddhaley.com



Thomasville *ELEMENTS* a modern, vintage vibe cabinetry offering that is exclusive to Home Depot!

Thomasville Elements
CABINETS, INC.

PRODUCT SPECIFICATIONS



- 1 1/2" Plywood ends, 3/8" Plywood top, back, and bottom
- 2 3/4" Hardwood frame, doors and drawer fronts
- 3 5/8" Solid wood dovetail drawer box
- 4 QuietClose, undermount, full extension drawer guides
- 5 Matching exterior
- 6 3/4" Natural Plywood adjustable shelves
- 7 Natural interior
- 8 QuietClose, 6-way adjustable hinges
- 9 3/8" Plywood I-beam braces

Cabinet Care and Cleaning Instructions:

<https://www.masterbrand.com/care-and-cleaning>

For warranty information, visit: thomasvillecabinetry.com/warranty

In keeping with our practice of continuous product improvement and/or to maximize efficiencies, Thomasville Cabinetry may adjust specifications in design and materials as it deems necessary. Where differing materials are utilized, they will be of similar or better quality in keeping with Thomasville Cabinetry's commitment to quality.

Thank you for selling your House Brand, Thomasville Cabinetry! We are your partners to help you with the sale every time! Visit your web page <https://www.THAHD.com>

TH&A

Todd Haley & Associates



MASTERBRAND
CABINETS, INC.