

# Thomasville® Nouveau

CABINETRY



**MASTERBRAND**  
CABINETS, INC.

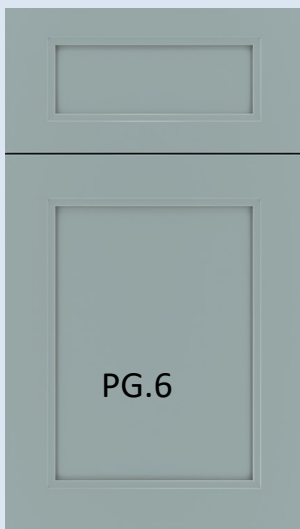
**The Nouveau Report**

**November 2022**

Visit us at  
[thomasvillecabinetry.com](http://thomasvillecabinetry.com)  
Or  
<https://www.THAHD.com>

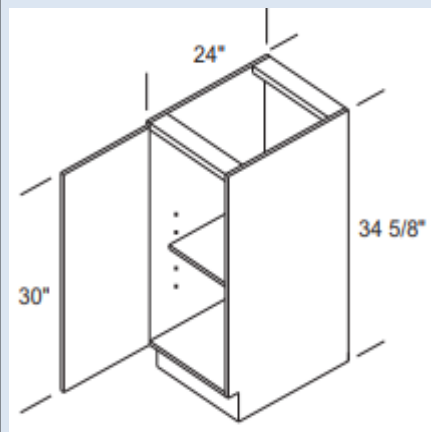
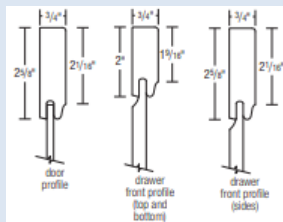
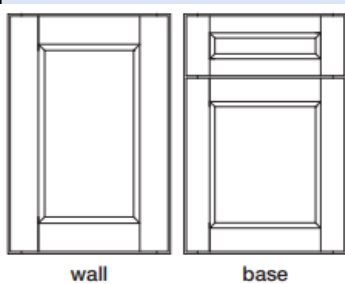
## FALLON

## FULL HEIGHT BASE SINGLE DOOR



- Shaker door with a little extra flair
- 2 5/8" wide door rail with an ogee rout to the center panel and a slightly rounded outer edge profile
- Center panel is 3/16" veneer recessed.
- 5pc drawer front with 1/2" solid recessed center
- Doors under 8" wide will be slab panel

Bayside on Maple



- B6FH L or R
- B9FH L or R
- B10.5FH L or R
- B12FH L or R
- B13.5FH L or R
- B15FH L or R
- B16.5FH L or R
- B18FH L or R
- B19.5FH L or R
- B21FH L or R
- B24FH L or R

- This cabinet offers excellent storage for large bulky kitchen appliances
- The 6" wide cabinet is ideal for cookie sheets and other baking pans
- One adjustable shelf
- Doors panels are solid slab on B6FH only in the following styles: Brunswick, Crosse, Fallon, Grimsby, Hollings, Lakefield, Lana, Luka, Maren, Nelson, Nolan, Quinn, Rhett, Scotia, and Tennison. All other wood frame door styles will have 3/16" flat center panel
- Mullion doors not available

**PG. 168**

Construction Specifications/Options:

White Interior	
Natural Interior	✓
Glass Inserts	✓
Plywood Construction Available	Upgrade
Metal Drawers*	✓
Wood Drawers	✓

\*Drawer bottom and back will match interior of cabinet.

**Maple \$346/LF**

**Rustic Alder**

**\$299/LF**

**Oak \$299/LF**

**Cherry \$377/LF**

**Rift Oak \$377/LF**

**TH&A**

Todd Haley & Associates

Adam Johnson  
678-736-9934

[ajohnson@toddhaley.com](mailto:ajohnson@toddhaley.com)

Paul Cunningham  
615-681-2686

[pcunningham@toddhaley.com](mailto:pcunningham@toddhaley.com)

Christian Pellage  
803-846-1902

[cpellage@toddhaley.com](mailto:cpellage@toddhaley.com)

Ginny Edens  
770-424-7518

[gedens@toddhaley.com](mailto:gedens@toddhaley.com)

**What Designers are saying about Thomasville Nouveau:**

“Nouveau is a wonderful option with unique species like Bamboo. Customers also like the glossy white finishes like Cross Gloss Lilly”.

**Tammy Bell HD0770 Hixson, TN**

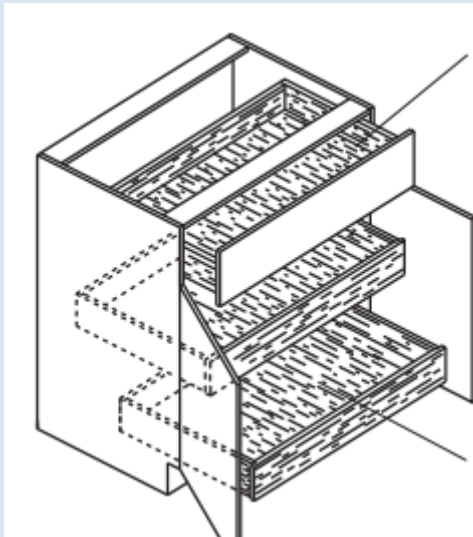


**Modifications**

**Embellishments**

**WSOT-wood slide out tray** PGS. 37 & 422

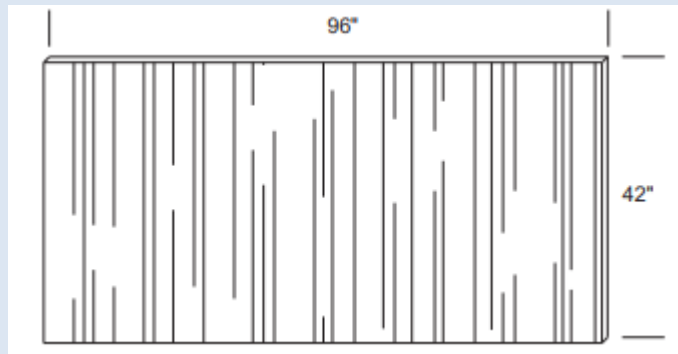
- Available on most base, sink base, tall, and vanity cabinets 9”wide to 42”wide
- 5/8” hardwood box, dovetailed construction, undermount full extension slides with integrated QuietClose feature
- Cabinets ordered with hardwood drawers will automatically receive hardwood WSOT’s



Look for this Custom Modification Chart

Custom Modification Options																					
170°	HINGE	CAR	CD	CFO	CH	CND	CW	DE	FF	FINTK	FTK	FWD	FWFF	NCS	NTK	OS	RDL/	ROT	EFF	SOT**	
✓	✓	✓	✓	✓	✓	✓	✓	✓	✓	✓	✓	✓	✓	✓	✓	✓	✓	✓	✓	✓	✓

**BP9642-2S-base end panel 96” wide veneer one piece, finished both sides**



- Finished on both vertical edges, painted both sides
- For custom width, height, depth panels see modifications page 40
- Available Species: Bamboo, Cherry, Maple, Oak, Rift Oak, Rustic Alder, MDF, and Gloss Thermofoil

PG. 377

Thank you for selling your House Brand, Thomasville Nouveau!  
 We are your partners to help you with the sale every time!  
 Visit your web page <https://www.THAHD.com>

**TH&A**

Todd Haley & Associates



**MASTERBRAND**  
CABINETS, INC.