

# Thomasville<sup>1904</sup> Studio

CABINETS

Visit us at [thomasvillecabinetry.com](http://thomasvillecabinetry.com)

or

<https://www.THAND.com>

July 2022 Training Agenda

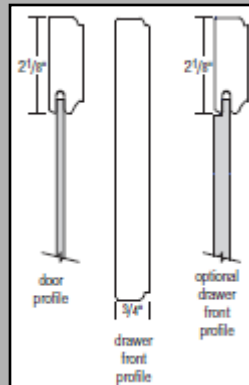
MASTER BRAND  
CABINETS, INC.

## Naomi Full Maple Shepherd

## 27" Deep Sink Base



Available in Maple  
Stained and Painted

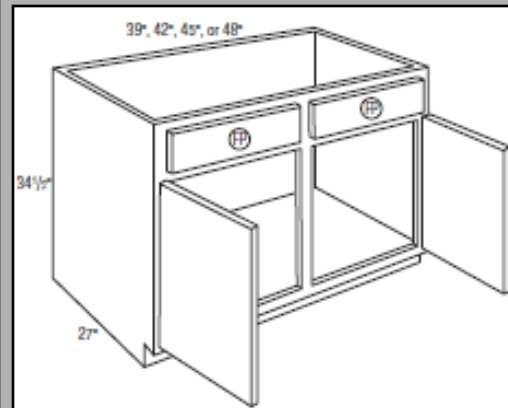


Maple & Painted  
\$220 LF

- Veneer Flat Panel
- 1 1/4" Full Overlay
- 3/4" Solid Profiled Drawer Front
- Optional Flat 5 Piece available (DFF5PC). See page 46 for additional Drawer Front Option Information.

†See page 39 for 5-piece drawer front dimensions when specifying decorative hardware.

**Pg. 17**



Pages  
192-196

- Mini Touch-up Kit (MTUK) included.
- Mini Touch-up Kit includes small touch-up marker and small fill stick.
- FPEB modification is recommended.
- FP = False Panel.

Single Door	SB243427 L or R <sup>▲</sup>
Butt Doors	SB243427  new
	SB273427  new
	SB303427  new
	SB333427  new
	SB363427  new
Center Stile	SB393427  new
	SB423427  new
	SB453427  new
	SB483427CS  new

**TH&A**

Todd Haley & Associates

Adam Johnson  
678-736-9934

[ajohnson@toddhaley.com](mailto:ajohnson@toddhaley.com)

Paul Cunningham  
615-681-2686

[pcunningham@toddhaley.com](mailto:pcunningham@toddhaley.com)

Thomas D. Clarke, CKD  
225-240-0529

[tclarke@toddhaley.com](mailto:tclarke@toddhaley.com)

Ginny Edens  
770-424-7518

[gedens@toddhaley.com](mailto:gedens@toddhaley.com)



Thomasville Studio 1904

a modern, vintage vibe cabinetry offering that is exclusive to Home Depot!

Thomasville Studio 1904  
CABINETRY



### Things I Love About Studio!

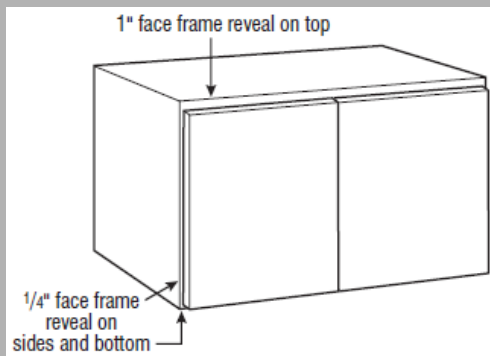
*Len Frederick HD\_0375 Denham Springs, La.*

"I like Studio 1904 because I can give a reasonably priced, quality cabinet to customers that are not happy with the quality of the stock cabinets for just a few dollars more."

**"The tongue has no bones but is strong enough to break a heart. So be careful with your words." ~ Lifemello**

## Modifications

### MFO - modified full overlay



**PG.48**

**Most wall and tall cabinets and some panels with doors.**

Reduces the size of a Full Overlay door by 3/4" allowing for a top face frame reveal of 1" to allow for face mount moulding application.

Overlay Fillers are available in MFO heights to align with doors, see pages 354-357 for OL..MFO and OL..MFOP.

Not compatible with Add Toekick modification.

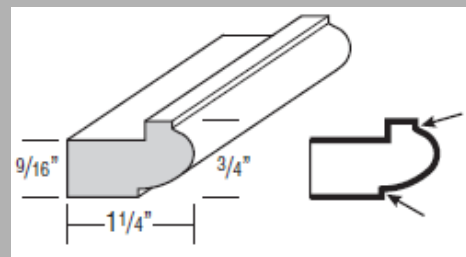
When Authentic End(s) are ordered in conjunction with Modified Full Overlay, the Authentic End door(s) will decrease to match the change in reveal.

Not available on Aluminum Frame Doors.

Not available on Yuma Specialty Laminate, Blythe, or MDF door styles.

## Embellishments

### Valley Forge Moulding - VFR8



- One 8' section.
- Must be shimmed at the notch or used with an under-cabinet skin if used with full overlay styles.
- Finished edges indicated by bold lines on side view drawing. Glazed edges indicated by arrows on side view drawing.

**PG. 425**

Thank you for selling your House Brand, Thomasville Cabinetry! We are your partners to help you with the sale every time! Visit your web page <https://www.THAHD.com>

**TH&A**

Todd Haley & Associates



**MASTERBRAND**  
CABINETS, INC.