

Thomasville Artisan

CABINETRY

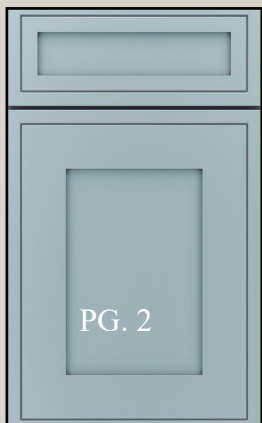
 MASTERBRAND

The Artisan Focus

March 2023

Visit us at
ThomasvilleCabinetry.com
 Or
<https://www.THAHD.com>

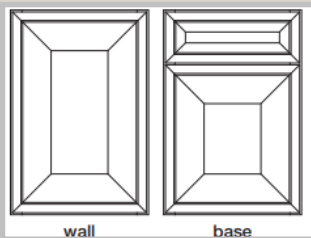
Anstead



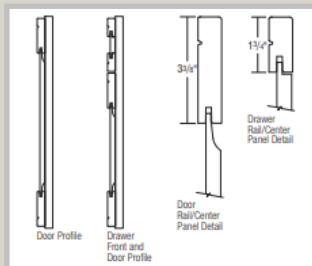
- The Anstead features a wide rail design with clean lines and a faux inset appearance
- 5PC Mitered Solid Reverse Raised Panel Door
- 5PC Mitered Drawer Front w/ Flat Center Panel
- Doors 8-1/2" wide will use a Rabbeted Center Panel

Versus a Reverse Raised Panel

- Drawer Fronts smaller than 5-3/4" high or drop-front applications will have Slab Front
- 1/8" EXL or EXR recommended



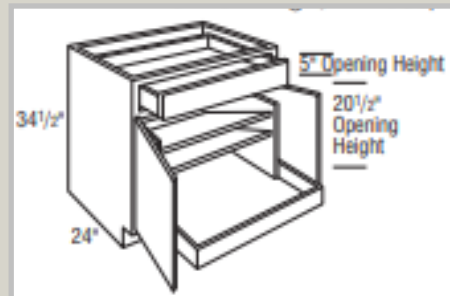
Maple \$426LF
 Cherry \$478LF
 Rustic Alder \$425LF
 Quarter Sawn Oak \$478 LF



Base Pots and Pans Storage

B24PS; B30PS; B36PS

- ◇ Deep storage for pots and pans with convenient tiered lid storage



- ◇ RD option in 15", 18", and 21"

PG. 281



TH&A

Todd Haley & Associates

Adam Johnson
 678-736-9934

ajohnson@toddhaley.com

Paul Cunningham
 615-681-2686

pcunningham@toddhaley.com

Christian Pellage
 803-846-1902

cpellage@toddhaley.com

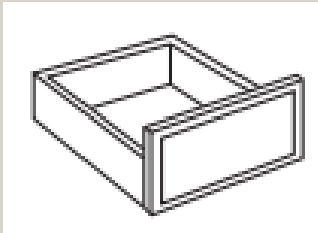
What is your “Favorite Thing” about Artisan Cabinetry?
 Artisan has many unique finishes like Gravity that draws my customers in.
 Of course, the All Plywood construction and the many storage and
 convenience items are also very popular.

Amy A. –HD3637 Hendersonville, NC



Modifications

SCPDRW– Scooped Drawers



- This modification reduces the top drawer box height to 2” to allow for clearance of cooktops, etc.
- Only the top drawer is modified when specified on drawer base cabinets
- You can also order just one drawer scooped on a cabinet with two top drawers or you can order both top drawers scooped
SCPDRWL; SCPDRWR; SCPDRWB

Look for this door/drawer options modification chart

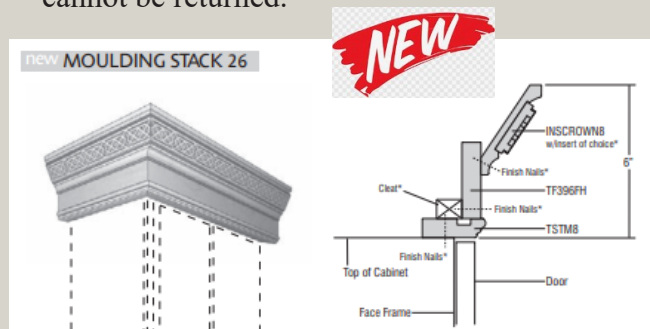


Page 53

Embellishments

STACK MOULDING SKU ALIGNMENT

- Artisan added 14 of the most popular stack moulding options from the Classic Collection
- Total offering now 36 options
- Stack mouldings are a simple way to choose and set mouldings in 2020
- Stack mouldings consist of individual moulding sku’s arranged to create intriguing appearances to compliment your design
- Moulding stacks are individually packaged but are sold as a set. Individual moulding sku’s cannot be returned.



Pages 595-600

Thank you for selling Artisan Cabinetry!

We need & appreciate your business! Please
 visit your website <https://www.THAHD.com>.

TH&A

Todd Haley & Associates

 **MASTERBRAND**