

Thomasville[®] Artisan

CABINETRY

The Artisan Focus

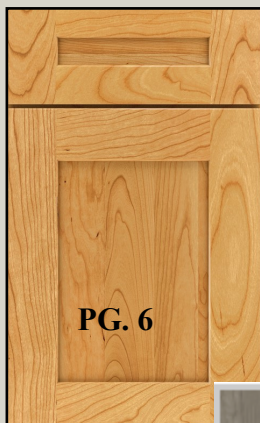
Visit us at
ThomasvilleCabinetry.com
 Or
<https://www.THAHD.com>

 MASTERBRAND[®]

June 2023

Eden

Diagonal Wall 48FH

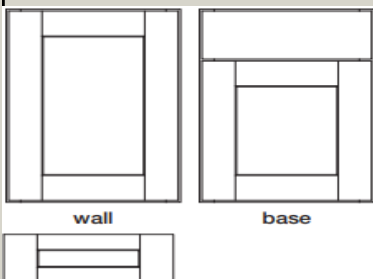


- Solid Reverse Recessed panel, wide-rail shaker door
- Solid Slab Drawer front standard
- 5PC Flat Center Panel Drawer Front (DFF5PC) PG.49). Other DF options PG.50

Cherry GRAVITY shown at right



- 1/8" EXL and/or EXR recommended on cabinets with altered depths, adjacent cabinets with opposing hinging, and cabinets adjacent to fixed wall

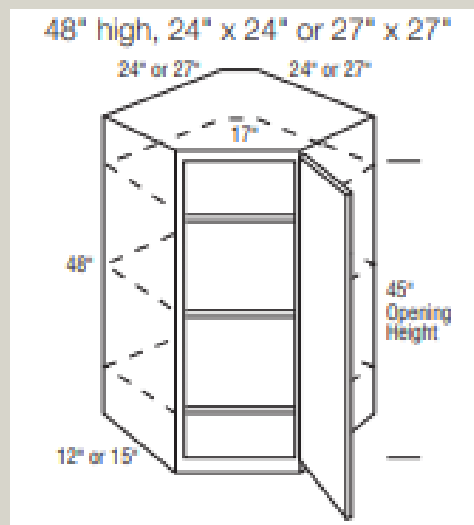


Optional Drawer Front: Flat 5-piece (DFF5PC)

Maple \$425 LF
 Rustic Alder \$425 LF
 Cherry \$469 LF
 Quartersawn Oak \$469 LF

- Doors smaller than 8-1/2" wide will have 2-1/4" wide rails

DW482424FH L or R DW482727FH L or R



- Includes three adjustable shelves
- EXL or EXR is not required on opposing cabinets
- Increased Heights available in 1/4" increments from 48-1/4" to 54"

PG. 187

TH&A

Todd Haley & Associates

Adam Johnson
 678-736-9934
ajohnson@toddhaley.com

Paul Cunningham
 615-681-2686
pcunningham@toddhaley.com

Christian Pellage
 803-846-1902
cpellage@toddhaley.com

TH&A

Todd Haley & Associates

What is your "Favorite Thing" about Artisan Cabinetry?



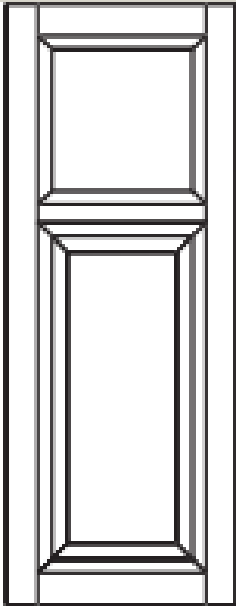
"I love the door styles, finish options, and finish techniques like distressing".

Norma Thompson HD8412 Clayton, GA



Modifications

TRANSOM DOORS CUT-FOR-GLASS TCG - transom with top cut-for-glass and bottom center panel



- Transom Cut-for-glass includes the top opening routed to accept glass inserts. Clips included
- The upper section of the Transom door will always have a 12" tall section, which includes the width of the upper cross rails and the upper opening
- Glass not available for the bottom of a Transom door
- Glass must be ordered separately
- Available door styles for TCG: Cottage, Eden, Jansen, and Patton
- Available on Door heights: 36", 39", 42", 45", 48"
- MIP is a preselected option
- MFO will decrease the height of the bottom section of a Transom door by 3/4"
- When Transom and Integral End are ordered together, only the face door will be Transom
- Door on Auth End will always be TCP

PG. 103

Embellishments

TEXTURED GLASS

- Glass will always be shipped directly to the order destination from the glass manufacturing facility within standard lead-times
- Textured glass inserts not available on bottom door of Tall Cabinets, Stacked Wall Cabinets, Base Cabinets, WC's, WTH and 9" wide cabinets
- Order CG doors separately
- Check size availability chart pages 112-114



PGS. 104, 111-114

Thank you for selling Artisan Cabinetry!

We need & appreciate your business! Please visit your website <https://www.THAHD.com>.

TH&A

Todd Haley & Associates



MASTERBRAND
CABINETS, INC.