

Thomasville® Classic

CABINETS



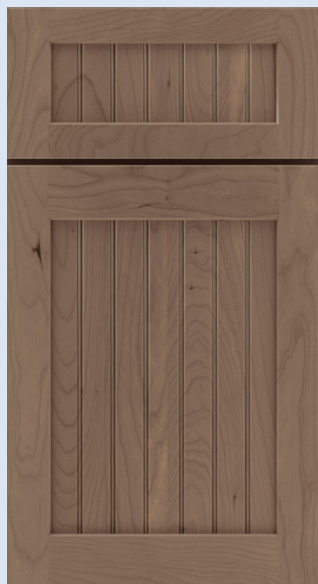
MASTER BRAND
CABINETS, INC.

The Thomasville Report

February 2023

Visit us at
thomasvillecabinetry.com
Or
<https://www.THAHD.com>

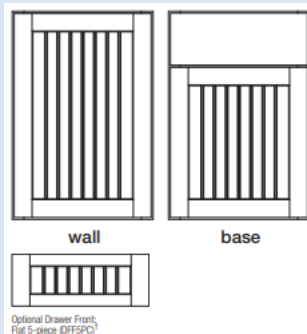
ASHTON Cherry Heather Gray



- Ashton is a solid beaded panel shaker style door panel
- 2-1/4" wide door rails
- 1-1/4" full overlay
- 3/4" solid slab drawer front standard
- **Optional** 5pc drawer front features a vertical grain direction on the center panel
- Beaded center panel on 5PC drawer front will not align with doors when used on cabinets with double doors and a full width drawer front

- DFF5PC drawer front (pg.46)
- DFF5PCSLBT –5PC w/ Slab Top (pg.47)
- When DFF5PC is selected on a 2DB48, drawer fronts will have a vertical cross rail with two center panels

Maple \$304 LF
Cherry \$323 LF

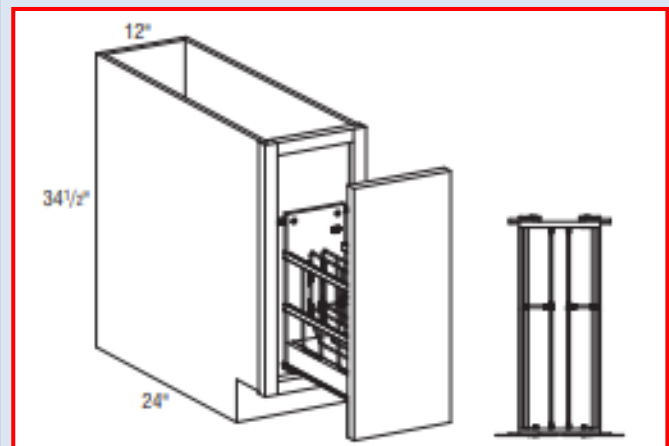


PG.6

Base Tray Divider Pantry Pull-out

BTDP12

PG. 230



- All styles feature a natural finish QuietClose wood pull-out with two removable center dividers and two snap on T-bars
- Tray dividers are chrome plated steel

TH&A

Todd Haley & Associates

Adam Johnson
678-736-9934

ajohnson@toddhaley.com

Paul Cunningham
615-681-2686

pcunningham@toddhaley.com

Christian Pellage
803-846-1902

cpellage@toddhaley.com

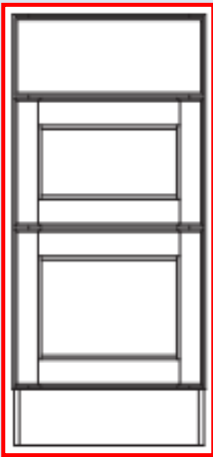
What Designers are saying about Thomasville: HD3642 Ray Riden- Statesville, NC



“Classic has been the popular collection here. I think what attracts people is their five-piece drawer fronts. I love the accessibility of the cabinets.”

MODIFICATIONS

Drawer Front 5-piece with Slab Top DFF5PCSLBT PG.47



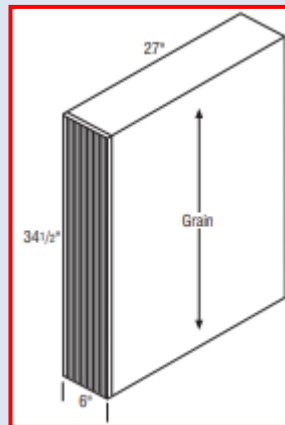
- Available on these door styles: Ashton, Duncan Full, Eden, Everly, Knox, Manteo, Naomi Full, Vance, Full, and Yuma
- Replaces the standard slab drawer fronts with 5-piece flat center panel drawer front* with the exception of the Top Drawer Front of base and vanity cabinets when the face frame opening is 5” high (*Ashton 5pc DF’s are solid

beaded panels)

- Drawer front will be Slab on TBMWB and OSB cabinets
- Not available on Wall Two Drawer (W2D..) and Furniture Drawer 6-3/4” high cabinets
- Must upgrade all drawer fronts on a cabinet where applicable
- Upcharges for 5-piece drawer fronts applied only to the number of 5-piece drawer fronts
- Premium finish and finish technique upcharges will apply where applicable

EMBELLISHMENTS

Base Box Column Filler Beaded B334.527BCFB; B634.527BCFB



- Reversible
- No reveal on filler
- Front and both sides finished; finished veneer on sides
- 1” increments from 6” to 27” deep using RD mod
- Enclosed top and bottom; not finished
- Not intended for use horizontally as shelving
- 1/2” plywood construction

Also available with a plain front or a fluted front

PG.361

Custom Modifications				Technique Options			
ID	RD			Distressing	Heirlooming		
<input checked="" type="checkbox"/>	<input checked="" type="checkbox"/>			<input checked="" type="checkbox"/>	<input checked="" type="checkbox"/>		
Availability Options							
Cherry	Maple	MDF	Oak	Painted	PureStyle™	Rustic Alder	Rustic Hickory
<input checked="" type="checkbox"/>	<input checked="" type="checkbox"/>	<input checked="" type="checkbox"/>	<input checked="" type="checkbox"/>	<input checked="" type="checkbox"/>	<input checked="" type="checkbox"/>	<input checked="" type="checkbox"/>	<input checked="" type="checkbox"/>
		box color				Alder	Hickory
						box color	box color

¹Distressing only available on Plain.
²Heirlooming only available on Fluted and Beaded.

Thank you for selling your House Brand, Thomasville Cabinetry! We are your partners to help you with the sale every time! Visit your web page <https://www.THAHD.com>

TH&A
Todd Haley & Associates

MASTER BRAND
CABINETS, INC.