

Thomasville[®] Artisan

CABINETS



MASTERBRAND
CABINETS, INC.

The Artisan Focus

July 2022

Visit us at

ThomasvilleCabinetry.com

Or

<https://www.THAHD.com>

Ryder Rustic Alder Summit



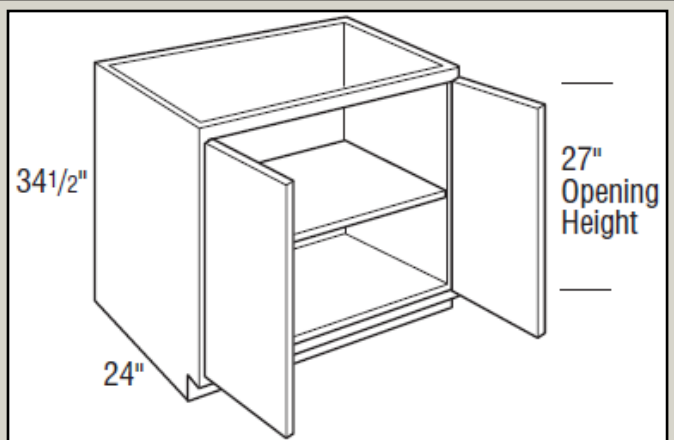
- Solid Reverse Raised Panel Door
- Full Overlay Door Style
- Solid Slab Drawer Front
- Doors 10 3/4" wide or less will have a Rabbeted Flat Center Panel.
- Doors smaller than 9 25/32" wide require a 2 29/32" End Rail.
- Doors Under 8 9/16" will be a Slab.
- 5-piece Flat Center Panel Drawer Front (DFF available. Some exceptions may apply. See page 49.

- 5-piece Flat Center Panel Drawer Front with slab top (DFF5PCSLBT) available. Some exceptions may apply. See page 50.
- 1/8" EXL and/or EXR options recommended with altered depths, adjacent cabinets with opposite hinging, and cabinet adjacent to a fixed wall.
- When Maple Color or Brushed finishes are specified, the center panels of the selected style may be constructed of Medium Density Fiberboard (MDF). MDF provides a smoother finish when painted, and is more resistant to warping, expansion, and contraction.

Maple \$409 LF
Cherry \$460 LF
Rustic Alder \$409 LF
Quarter Sawn Oak \$460 LF

Page 10

Base Cabinet w/Full Height Door



Butt Doors
B24FH
B27FH
B30FH
B33FH
B36FH
B39FH

Page 256

- Includes one full depth adjustable shelf.
- If using these cabinets with Matching Interior and no doors/cut-for-glass doors, it is recommended that you should order it as a Wall/Base cabinet (WB*).

TH&A
Todd Haley & Associates

Adam Johnson
678-736-9934
ajohnson@toddhaley.com

Ginny Edens
770-424-7518
gedens@toddhaley.com

Paul Cunningham
615-681-2686
pcunningham@toddhaley.com

Thomas D. Clarke, CKD
225-240-0529
tclarke@toddhaley.com



What is your "Favorite Thing" about Artisan Cabinetry?
Cookie Williams HD_0132 Carrolton, Ga.
 "Working in Artisan is like working in a custom line with all the dimension Mods that are available."



The good life is the one inspired by love and guided by knowledge.

Modifications

Embellishments

RH-Reduced Height 28.5"

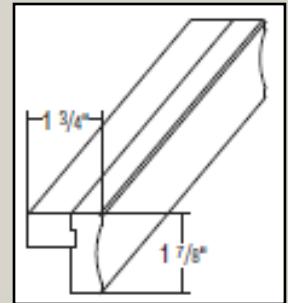
Available Height
B9 - B48
B12BB - B48BB
B2D9 - B2D36
B2D12RT - B2D36RT
B4D24 - B4D48
B4D24RT - B4D48RT
B12RT - B48RT
B6FH - B48FH
WB12 - WB48
SB18 - SB48
SB18ST - SB48ST
CNTYSB30 - CNTYSB48
SF18 - SF36
ACSF36 - ACSF42
BCFW36 - BCFW48
BCFW39P - BCFW48P
B9P - B48P
B9FHP - B48FHP
BCP27
TD9 - TD18
BTC12
BEC24
BEC24FP
BAC24
BTC24
B15PSB - B18PSB

Page 71

- Selected cabinets can be ordered with Reduced Height in 3" increments. See chart.
- To achieve desired heights, select the existing cabinet from below and specify RH along with the new height.
- For example, to achieve a peninsula wall cabinet 18" wide and 18" high, specify W1824P RH18.

Concave Light Rail CNVLRAIL8 or CNVLRAIL10

- CNVLRAIL8: 1-3/4" x 1-7/8" x 96".
- CNVLRAIL10: 1 3/4" x 1-7/8" x 120".
- Not available in Rustic Alder.
- Finishing Techniques available: H, DS, DS+, HLM, WTG.



Page 618

Thank you for selling Artisan Cabinetry!
 We need & appreciate your business! Please visit your website <https://www.THAHD.com>.

TH&A

Todd Haley & Associates



MASTERBRAND
 CABINETS, INC.