

Thomasville® Nouveau

CABINETRY



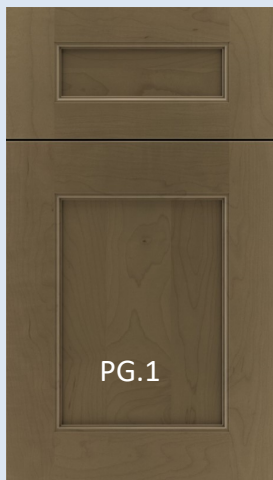
MASTERBRAND
CABINETS, INC.

The Nouveau Report

August 2022

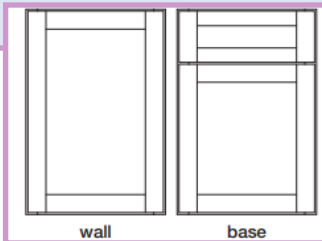
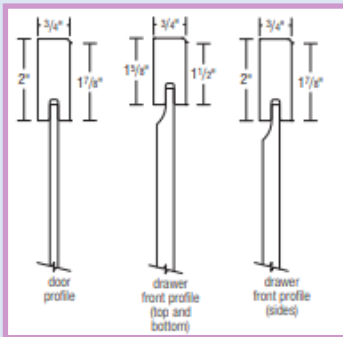
Visit us at
thomasvillecabinetry.com
Or
<https://www.THAHD.com>

Anson Oak Coal



PG.1

- Mortise and Tenon 2" wide rail door w/ 3/16" veneer center panel
- 5-pc drawer front with 1/2" solid recessed center
- When ordering Painted Maple, center panels will be MDF
- Shaker style w/slightly rounded outside profile



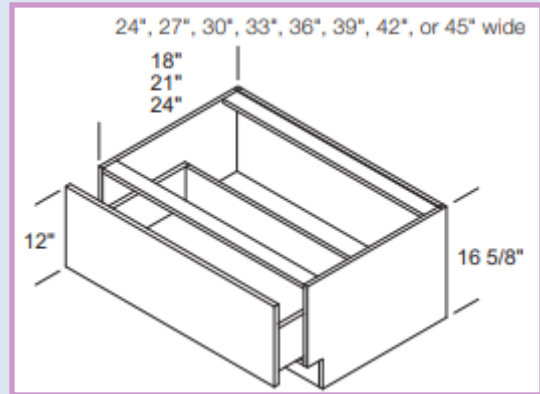
Construction Specifications/Options:

White Interior	
Natural Interior	✓
Glass Inserts	✓
Plywood Construction Available	Upgrade
Metal Drawers*	✓
Wood Drawers	✓

*Drawer bottom and back will match interior of cabinet.

Oak \$287/LF
Rustic Alder \$287/LF
Maple \$333/LF
Cherry \$363/LF
Rift Oak \$363/LF

Base Window Seat



BWS __ 1V

Construction Upgrade Options

FEB/FEL/FER	MIE	MMIE	PLY
✓	✓	✓	✓

Perfect for banquette seating, a quiet window seat to catch up on your favorite book, or just a place to sit and watch the goings on in your neighborhood.

- One Full Width Drawer
- 18" & 21" deep units are the same price as 24" deep
- 24", 27", 30", 33", 36", 39", 42", 45" widths

PG. 195

TH&A

Todd Haley & Associates

Adam Johnson
678-736-9934

ajohnson@toddhaley.com

Paul Cunningham
615-681-2686

pcunningham@toddhaley.com

Thomas D. Clarke, CKD
225-240-0529

tclarke@toddhaley.com

Ginny Edens
770-424-7518

gedens@toddhaley.com

What Designers are saying about Thomasville Nouveau:

Asheville has a good portion of the town looking for contemporary styles.
They like simple lines and ease of maintenance.



Monica Joyce HD3645 Asheville, NC

My grandmother started walking five miles a day when she was sixty.
She's ninety-seven now, and we don't know where the heck she is.

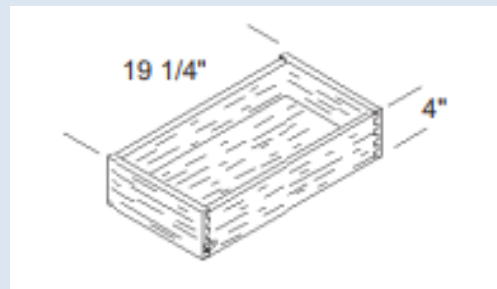
Modifications

Embellishments

CSDOOR-custom size door PG.51

- To order doors, select CSDOOR code in 2020
- Enter the height and width in inches and select the cabinet type: B (base), W (wall), T (Tall), or V (vanity) and the hinge location (left or right). Select "Custom Door NH" code for no hinge drilling
- When ordering doors with inserts, you must attach the modification for the insert desired. ie.. Wire mesh or glass
- Doors can be ordered in 1/16" increments but are subject to approval
- Custom size drawer fronts-CSDRWFRT (PG.51)

Hardwood Slide-Out Trays
WS __ SO



- 5/8" hardwood dovetail drawer box with full extension undermount integrated QuietClose™ glides and 3/16" captured bottom and finished with a clear catalyzed top coat
- Order these to be field installed using the above nomenclature
- Available in these sizes:
12,15,18,21,24,27,30,33,36,39,42

PG.422

Size Availability			
		Width	Height
Hinged Door	min	5 7/8"	9 11/16"
	max	23 7/8"	52 7/16"
Unhinged Door	min	5 7/8"	9 11/16"
	max	43"	80"
Mullion Door	min	8 5/32"	14 29/32"
	max	23 27/32"	52 7/16"
Drawer Front	min	5 29/32"	3 29/32"
	max	44 7/8"	14 29/32"

Thank you for selling your House Brand, Thomasville Nouveau!
We are your partners to help you with the sale every time!
Visit your web page <https://www.THAHD.com>

TH&A

Todd Haley & Associates



MASTERBRAND
CABINETS, INC.